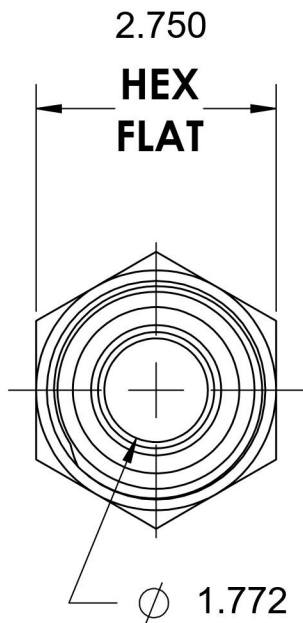
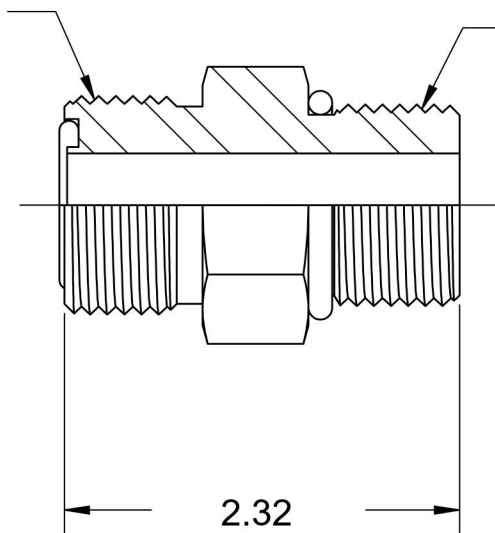


FS6400-32-32-O

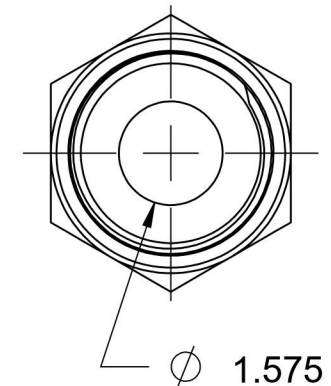
Steel, SAE J1453 O-Ring Face Seal Port Connector, 2" Male ORFS x 2-1/2-12 Male ORB



2-1/2-12 UN



2-1/2-12 UN



6701 Cochran Road
Solon, Ohio 44139
Phone: (440) 248-1880
Toll Free: 1-888-331-1523

Temperature Rating

-40°F to 250°F

Pressure Rating

3000 psi

Material

C1045 / 12L14 Steel

Finish

Trivalent Zinc

Industry Standards

SAE J1453, SAE J1926-2
ASTM B633

Series

FS6400-O

Series Description

SAE J1453 O-Ring Face Seal
Port Connector