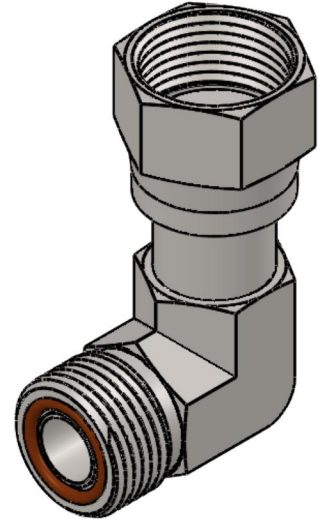
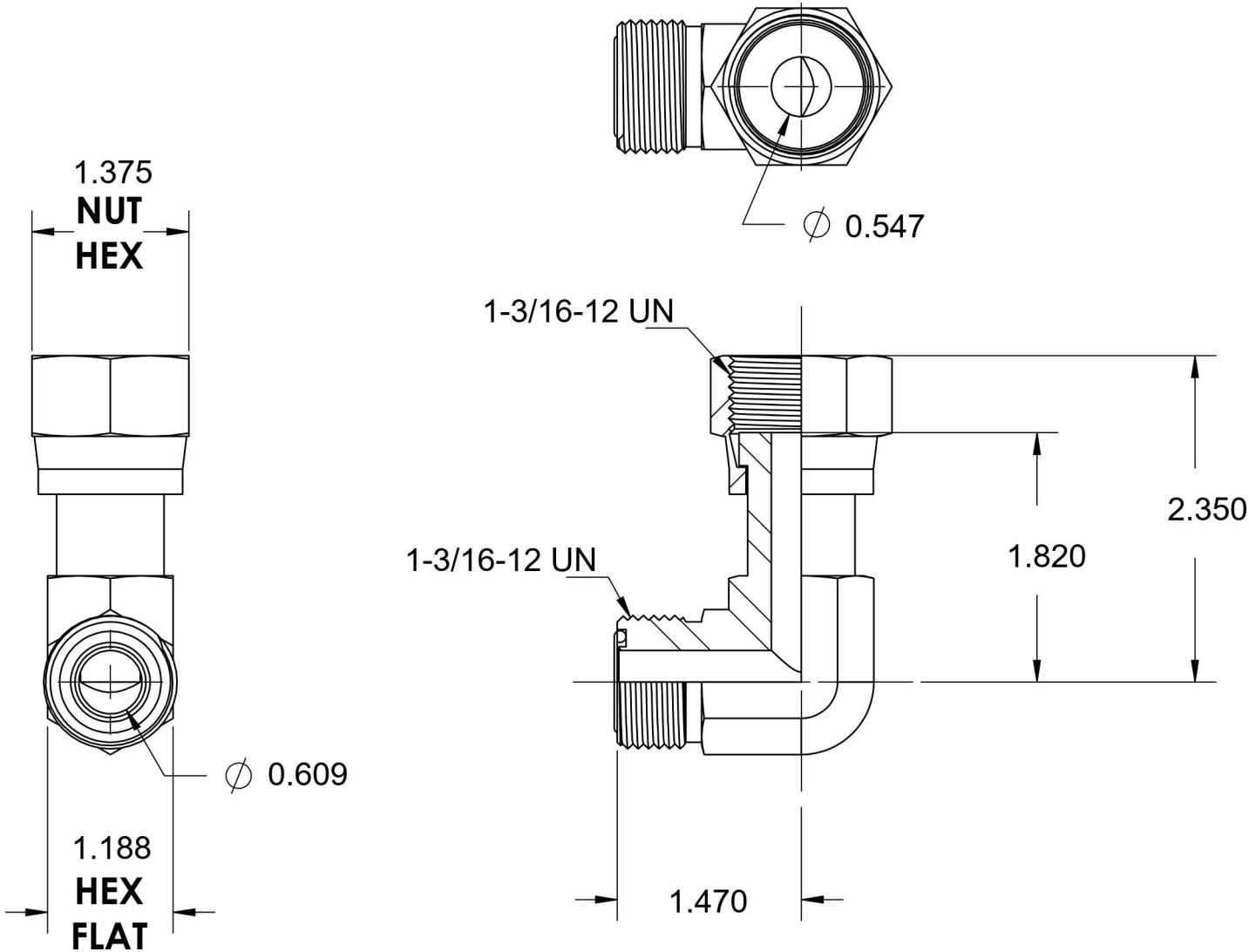


# FS6500-12-12-SS-VITON

Stainless Steel, SAE J1453 O-Ring Face Seal 90° Swivel Elbow, 3/4" Male ORFS x 3/4" Female ORFS Swivel, FKM Seal



6701 Cochran Road  
Solon, Ohio 44139  
Phone: (440) 248-1880  
Toll Free: 1-888-331-1523

<b>Temperature Rating</b>	<b>Material</b>	<b>Industry Standards</b>	<b>Series</b>
-15°F to 400°F	316/316L Stainless Steel	SAE J1453, SAE J515	FS6500-SS-VITON
<b>Pressure Rating</b>	<b>Finish</b>		<b>Series Description</b>
6000 psi	Passivated		SAE J1453 O-Ring Face Seal 90° Swivel Elbow