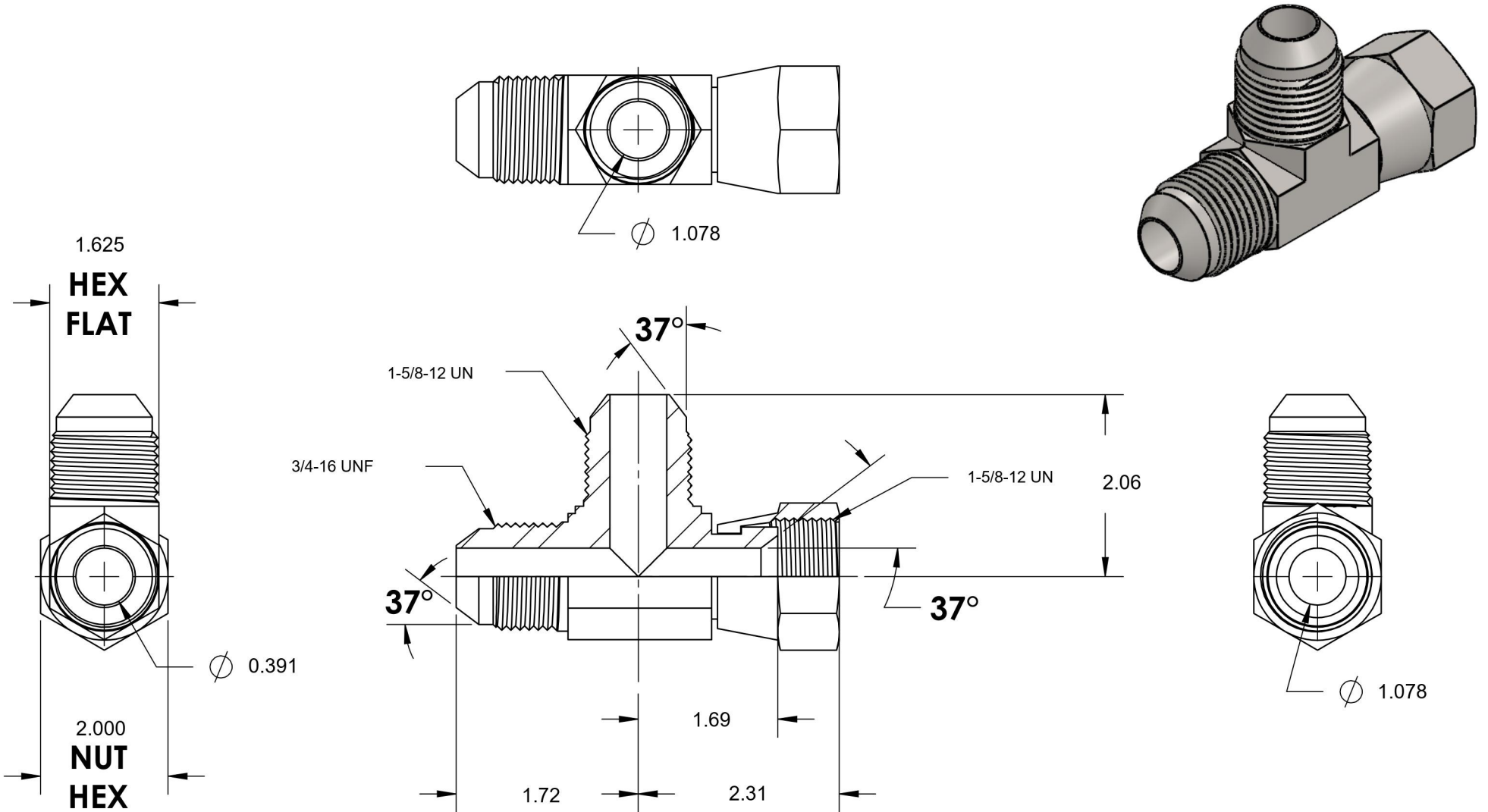


6602-08-20-20-FG

Steel, SAE J514 37° Flare Swivel Run Tee, 1/2" Male JIC x 1-1/4" Female JIC Swivel x 1-1/4" Male JIC



6701 Cochran Road
Solon, Ohio 44139
Phone: (440) 248-1880
Toll Free: 1-888-331-1523

Temperature Rating -65°F to 500°F	Material C1045 Steel	Industry Standards SAE J514, ASTM B633	Series 6602-FG
Pressure Rating 4000 psi	Finish Trivalent Zinc		Series Description SAE J514 37° Flare Swivel Run Tee