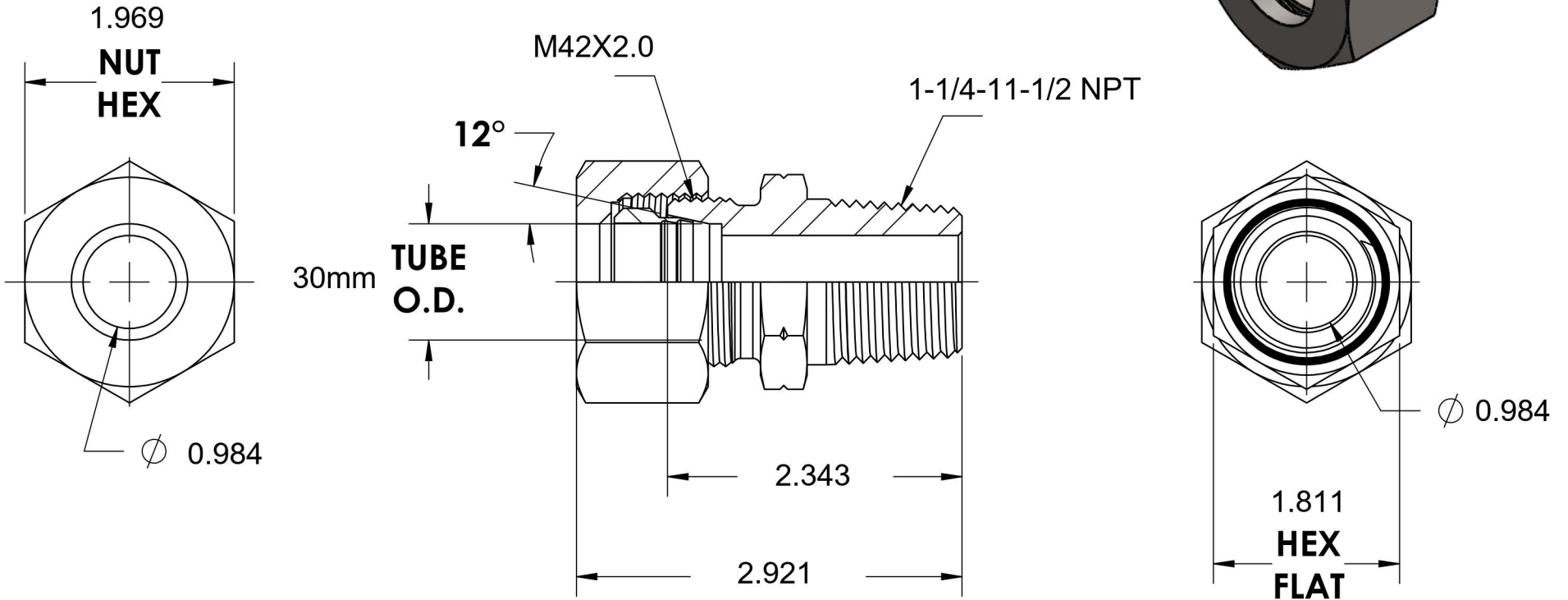
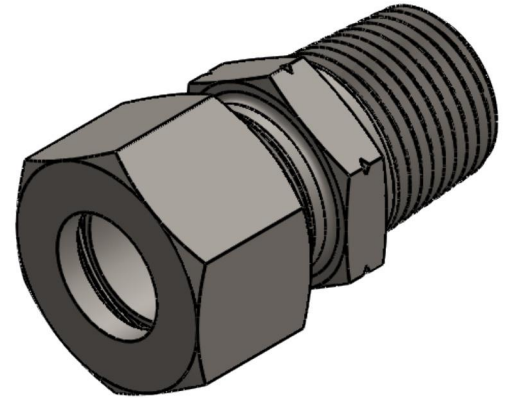


# D2404-S30-20

Steel, DIN 2353 Male Connector, Heavy 30mm Tube OD x 1 1/4" NPT



6701 Cochran Road  
Solon, Ohio 44139  
Phone: (440) 248-1880  
Toll Free: 1-888-331-1523

<b>Temperature Rating</b>	<b>Material</b>	<b>Industry Standards</b>	<b>Series</b>
-65°F to 500°F	C22 Steel	DIN 2353, ISO 8434-1 ANSI/ASME B1.20.1	D2404
<b>Pressure Rating</b>	<b>Finish</b>		<b>Series Description</b>
5802psi	Zinc Nickel		DIN 2353 Flareless Tube Male Connector