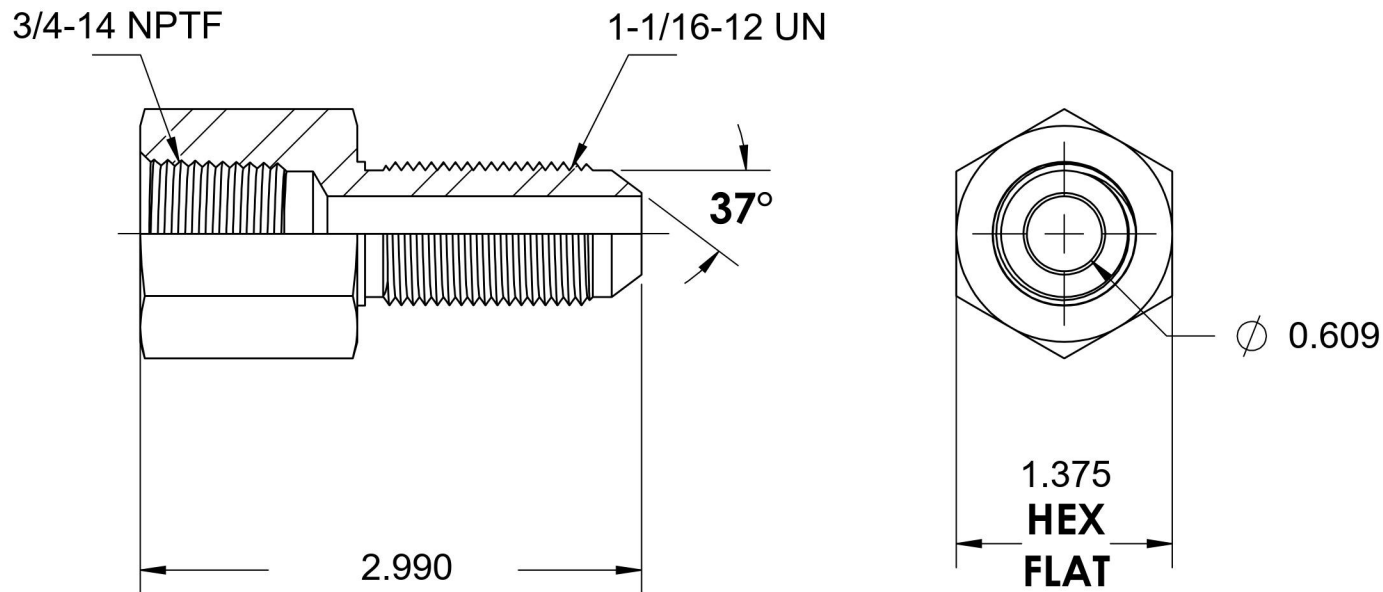
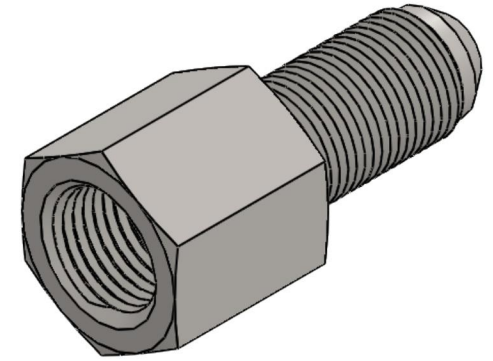


# 2705-12-12-SS

Stainless Steel, SAE J514 Flared Tube Female Bulkhead, 3/4" Female NPTF x 3/4" Male JIC



6701 Cochran Road  
Solon, Ohio 44139  
Phone: (440) 248-1880  
Toll Free: 1-888-331-1523

|                           |                          |                           |   |
|---------------------------|--------------------------|---------------------------|---|
| <b>Temperature Rating</b> | <b>Material</b>          | <b>Industry Standards</b> | <b>Series</b>                           |
| -425°F to 1200°F          | 316/316L Stainless Steel | SAE J514 , SAE J476       | 2705                                    |
| <b>Pressure Rating</b>    | <b>Finish</b>            |                           | <b>Series Description</b>               |
| 4000 psi                  | Passivated               |                           | SAE J514 Flared Tube<br>Female Bulkhead |