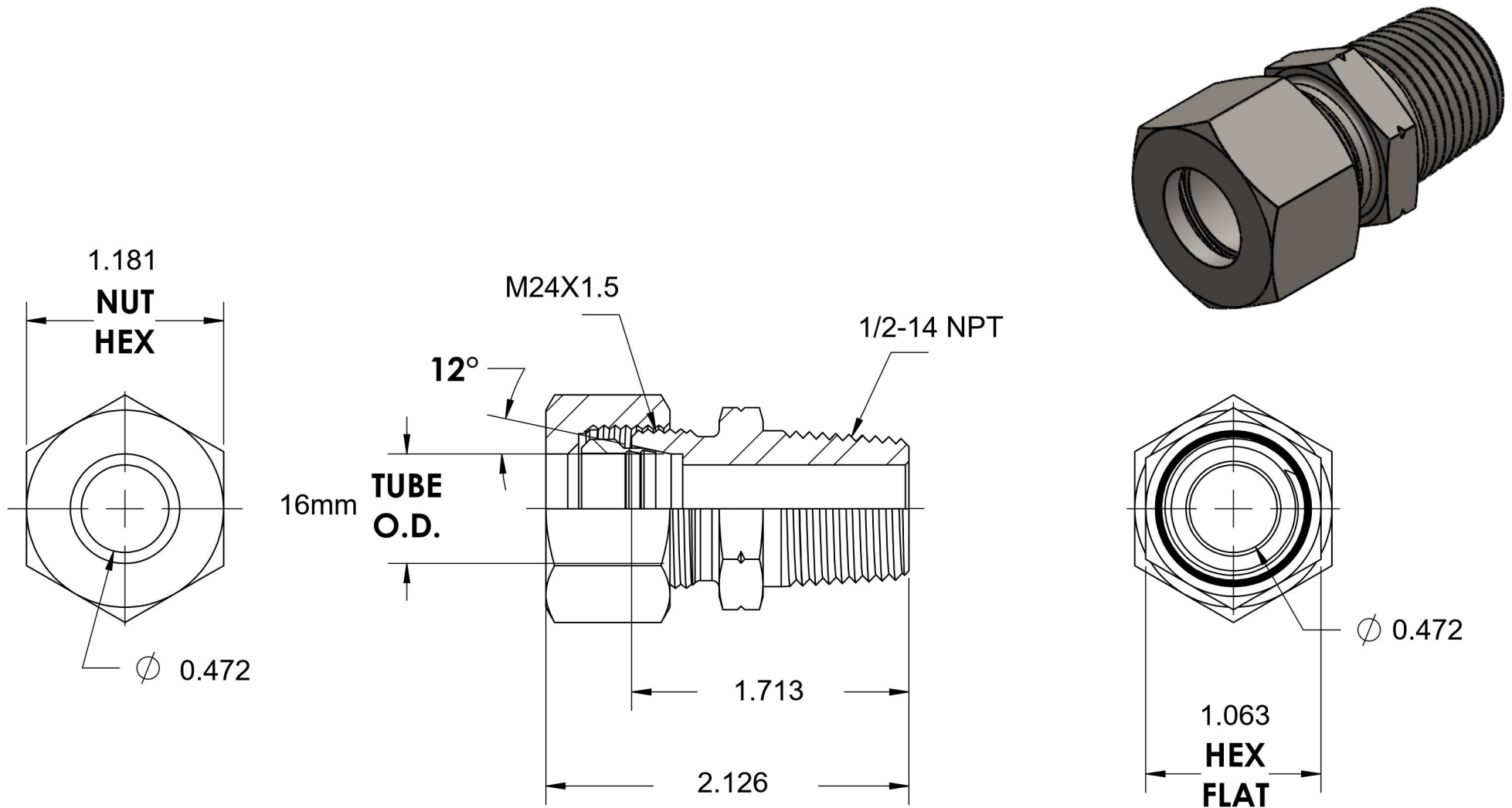


# D2404-S16-08

Steel, DIN 2353 Male Connector, Heavy 16mm Tube OD x 1/2" NPT



6701 Cochran Road  
Solon, Ohio 44139  
Phone: (440) 248-1880  
Toll Free: 1-888-331-1523

**Temperature Rating**

-65°F to 500°F

**Material**

C22 Steel

**Industry Standards**

DIN 2353, ISO 8434-1  
ANSI/ASME B1.20.1

**Series**

D2404

**Pressure Rating**

9137psi

**Finish**

Zinc Nickel

**Series Description**

DIN 2353 Flareless Tube  
Male Connector