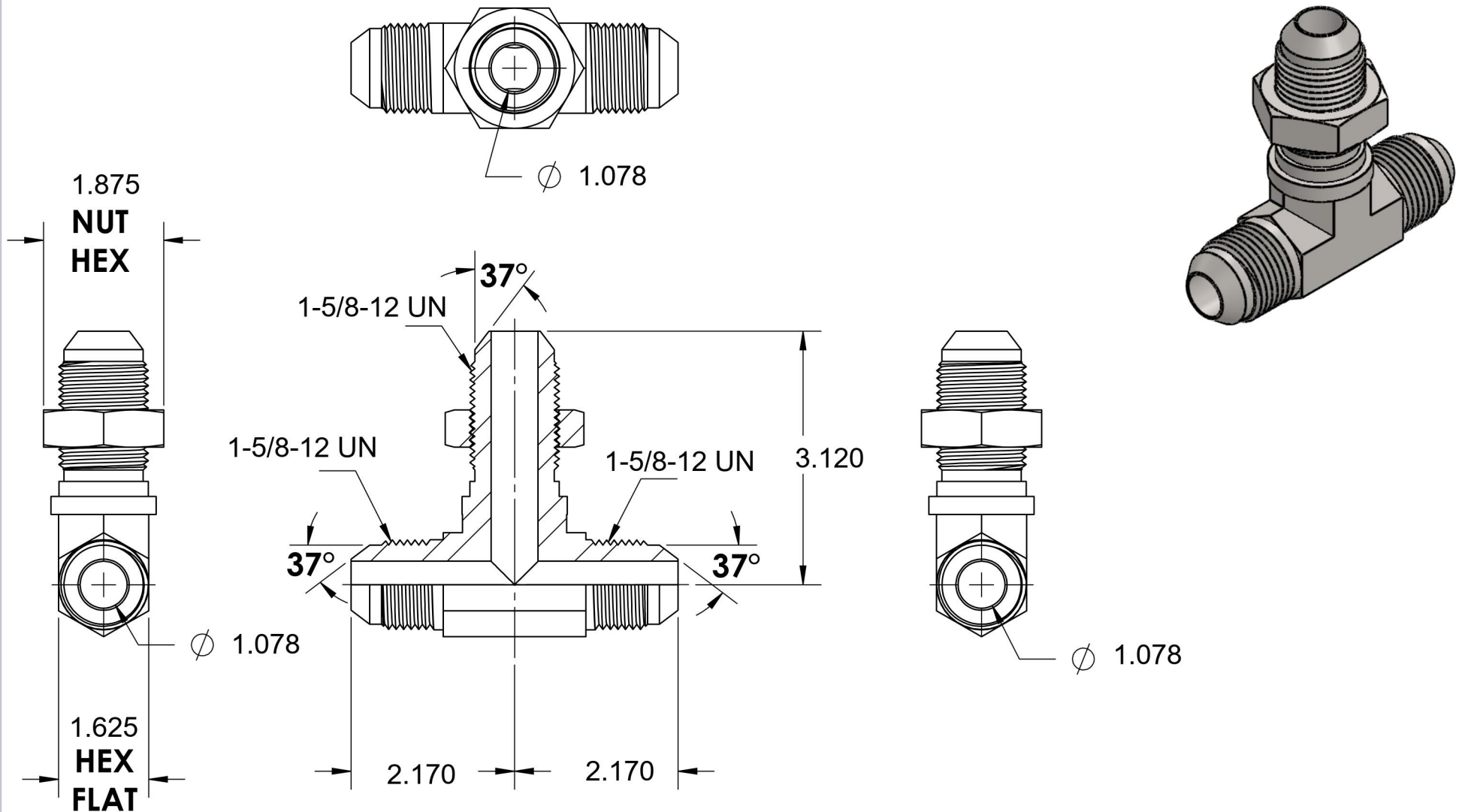


2703-LN-20-20-20-FG

Steel, SAE J514 37° Flare Bulkhead Branch Tee With Lock Nut, 1-1/4" Male JIC



6701 Cochran Road
Solon, Ohio 44139
Phone: (440) 248-1880
Toll Free: 1-888-331-1523

| | | | |
|---------------------------|-----------------|---------------------------|--|
| Temperature Rating | Material | Industry Standards | Series |
| -65°F to 500°F | C1045 Steel | SAE J514, ASTM B633 | 2703-LN-FG |
| Pressure Rating | Finish | | Series Description |
| 4000psi | Trivalent Zinc | | SAE J514 37° Flare Bulkhead Branch Tee With Lock Nut |