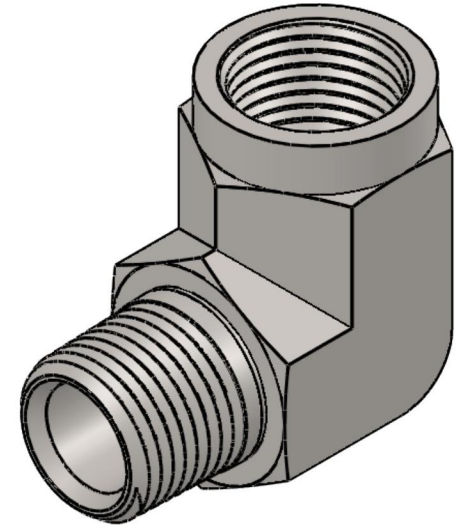
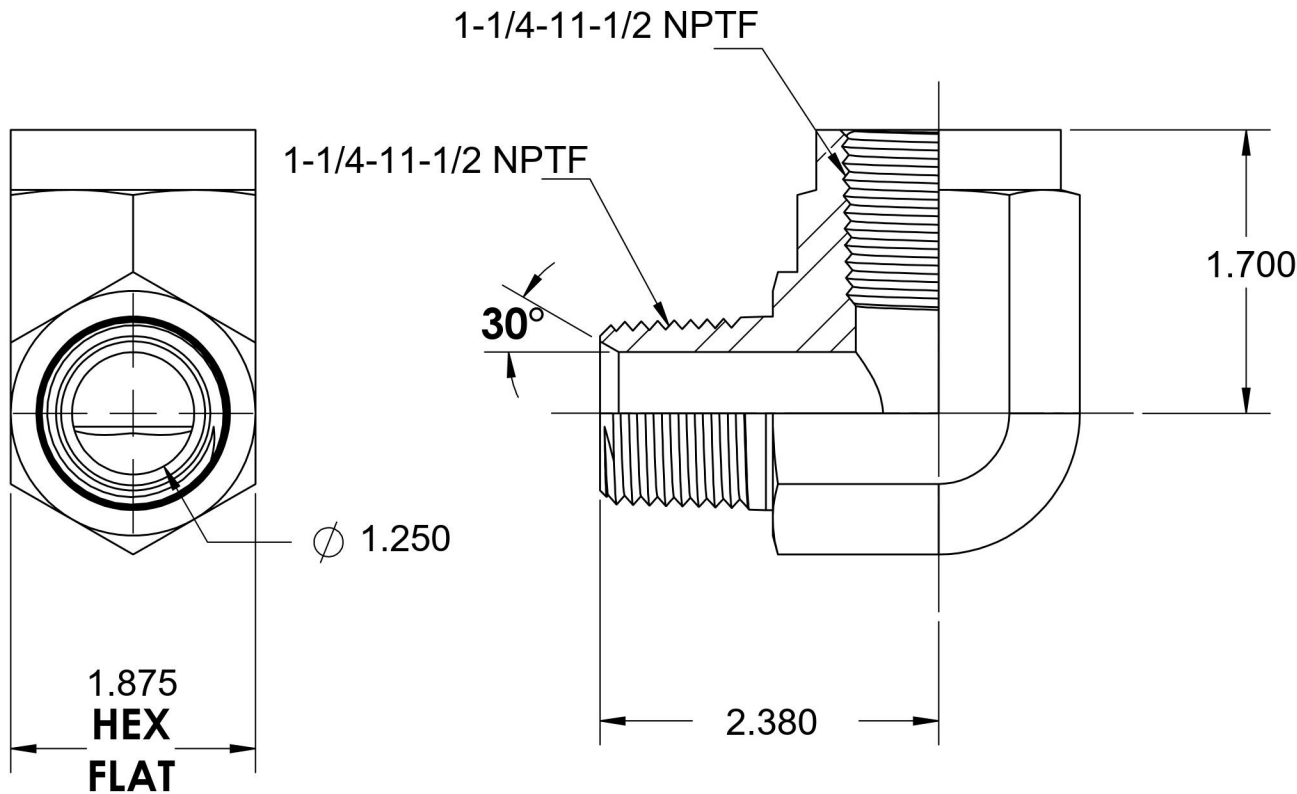


5502-20-20-FG

Steel, SAE J514 Pipe 90° Street Elbow, 1-1/4" Male NPTF 30° x 1-1/4" Female NPTF



6701 Cochran Road
Solon, Ohio 44139
Phone: (440) 248-1880
Toll Free: 1-888-331-1523

Temperature Rating

-65°F to 500°F

Material

C1045 Steel

Industry Standards

SAE J514 , SAE J476
ASTM B633

Series

5502-FG

Pressure Rating

1500 psi

Finish

Trivalent Zinc

Series Description

SAE J514 Pipe 90° Street Elbow