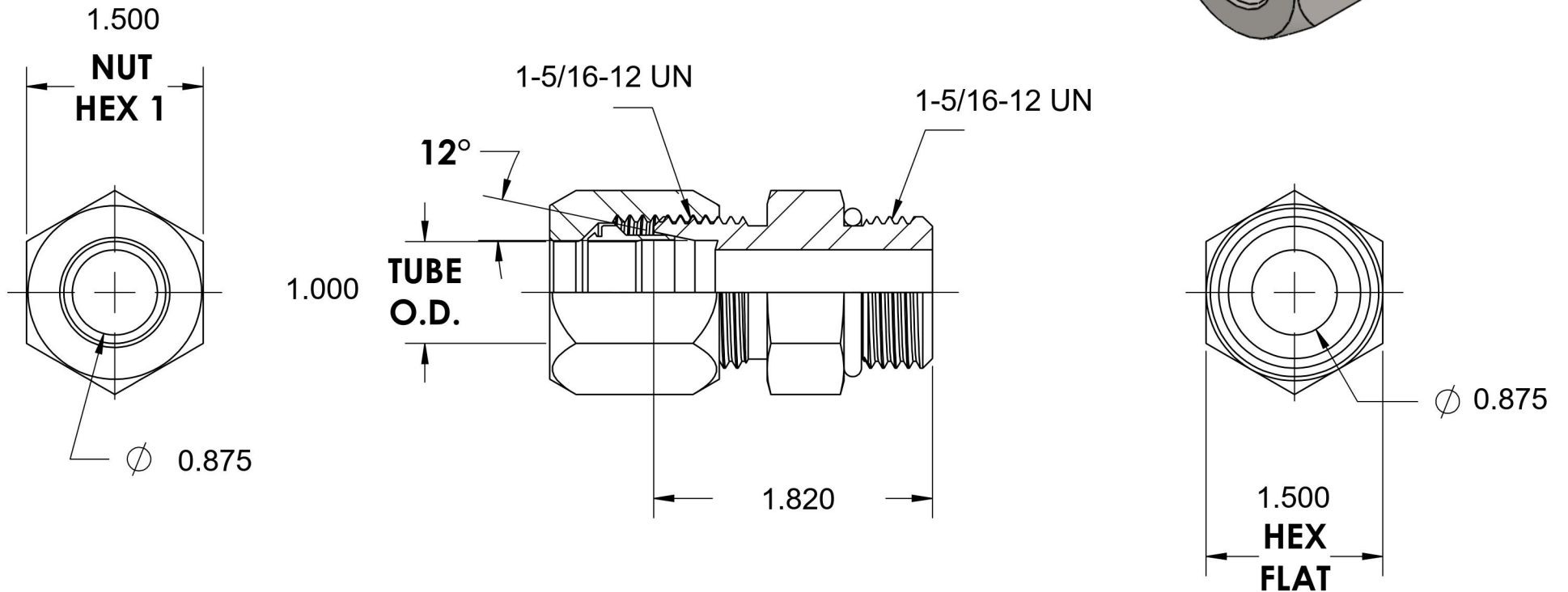
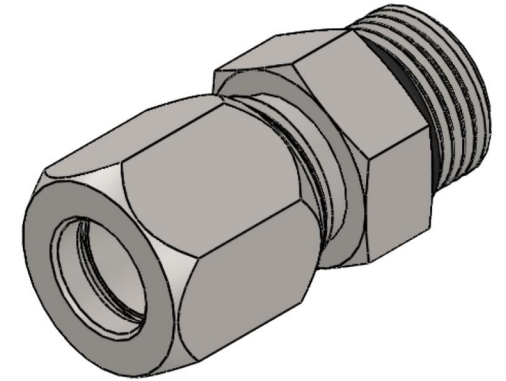


C6400-16-16-O-SS

Stainless Steel, SAE J514 Flareless Tube Port Connector, 1" Flareless Bite Type x 1-5/16-12 Male ORB



6701 Cochran Road
Solon, Ohio 44139
Phone: (440) 248-1880
Toll Free: 1-888-331-1523

Temperature Rating

-40°F to 250°F

Pressure Rating

4000psi

Material

316/316L Stainless

Finish

Passivation

Industry Standards

SAE J514, SAE J1926

Series

C6400-O

Series Description

SAE J514 Flareless Tube Port Connector