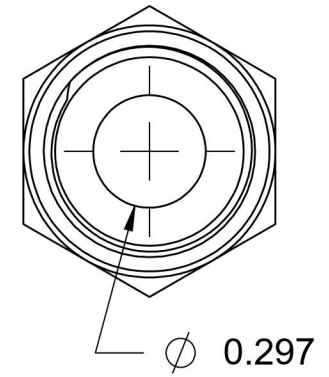
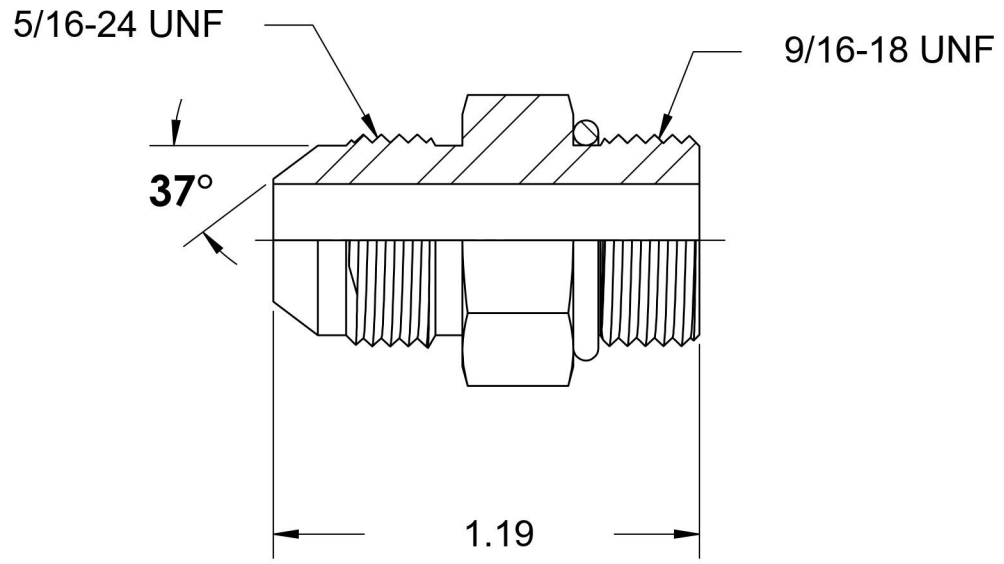
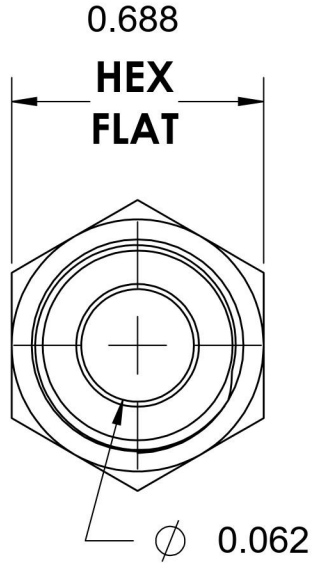


6400-02-06-O

Steel, SAE J514 37° Flare Port Connector, 1/8" Male JIC x 9/16-18 Male ORB



6701 Cochran Road
Solon, Ohio 44139
Phone: (440) 248-1880
Toll Free: 1-888-331-1523

| | | | |
|---|--|---|--|
| Temperature Rating -40°F to 250°F | Material C1045 / 12L14 Steel | Industry Standards SAE J514, SAE J1926-3 ASTM B633 | Series 6400-O |
| Pressure Rating 6000 psi | Finish Trivalent Zinc | | Series Description SAE J514 37° Flare Port Connector |