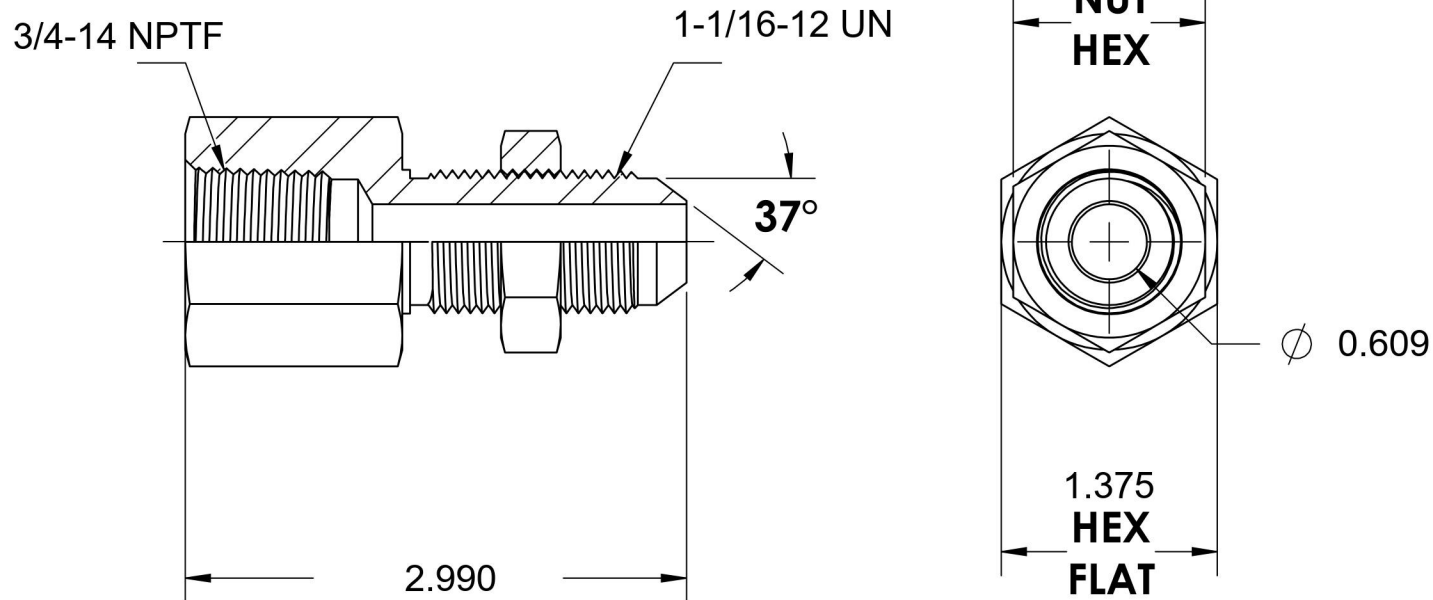
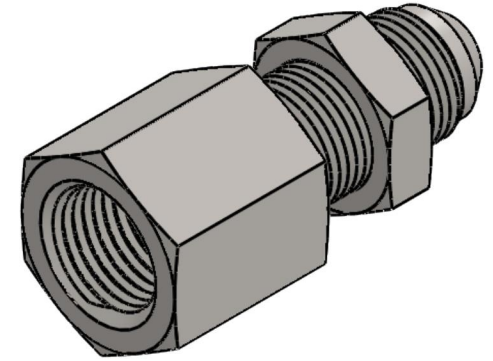


2705-LN-12-12

Steel, SAE J514 Flared Tube Female Bulkhead, 3/4" Female NPTF x 3/4" Male JIC



6701 Cochran Road
Solon, Ohio 44139
Phone: (440) 248-1880
Toll Free: 1-888-331-1523

| | | | |
|---------------------------|-------------------|----------------------------------|---|
| Temperature Rating | Material | Industry Standards | Series |
| -65°F to 500°F | C1045/12L14 Steel | SAE J514 , SAE J476 ASTM B633 | 2705-LN |
| Pressure Rating | Finish | | Series Description |
| 4000 psi | Trivalent Zinc | | SAE J514 Flared Tube Female Bulkhead |