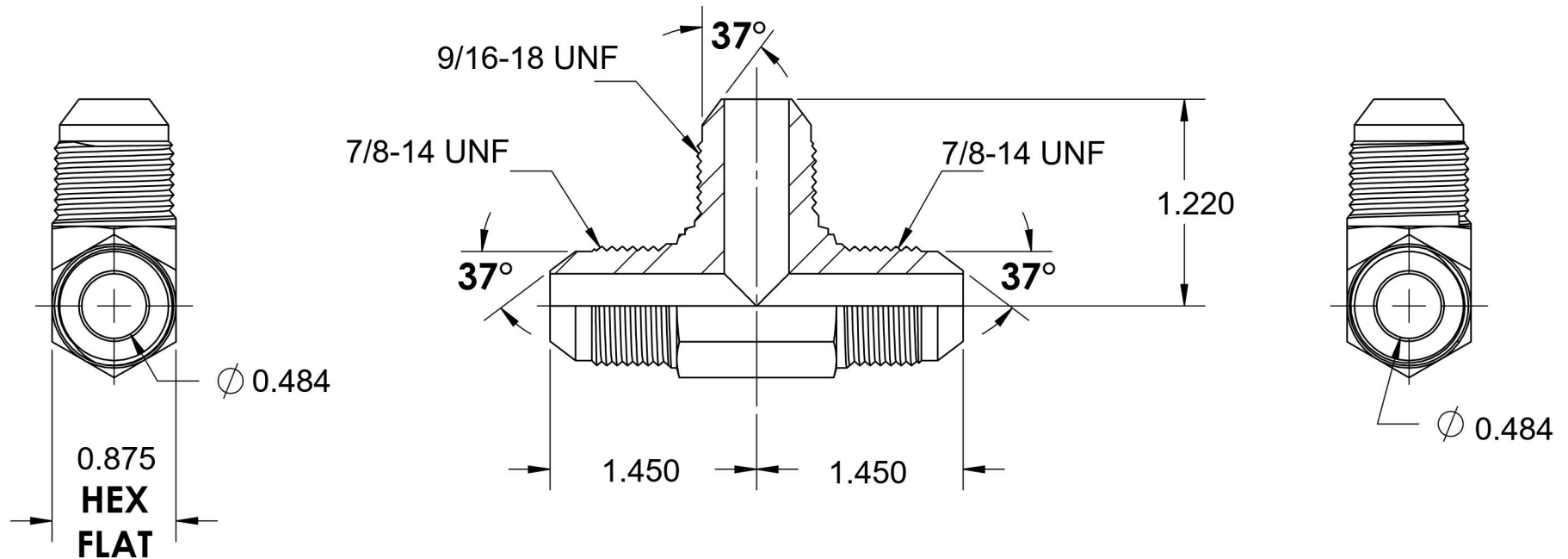
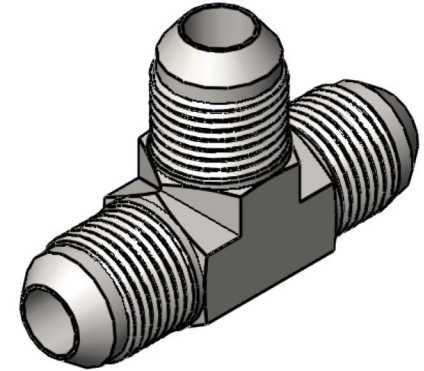
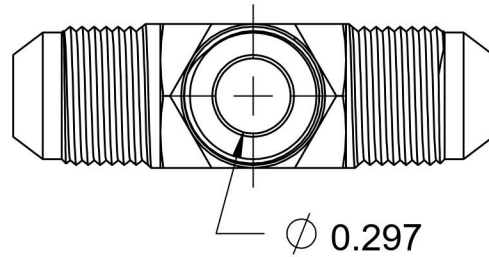


2603-10-10-06-SS

Stainless Steel, SAE J514 37° Flare Union Tee, 5/8" Male JIC x 5/8" Male JIC x 3/8" Male JIC



6701 Cochran Road
Solon, Ohio 44139
Phone: (440) 248-1880
Toll Free: 1-888-331-1523

| | | | |
|---|---|---------------------------------------|---|
| Temperature Rating -425°F to 1200°F | Material 316/316L Stainless Steel | Industry Standards SAE J514 | Series 2603-SS |
| Pressure Rating 5000 psi | Finish Passivated | | Series Description SAE J514 37° Flare Union Tee |