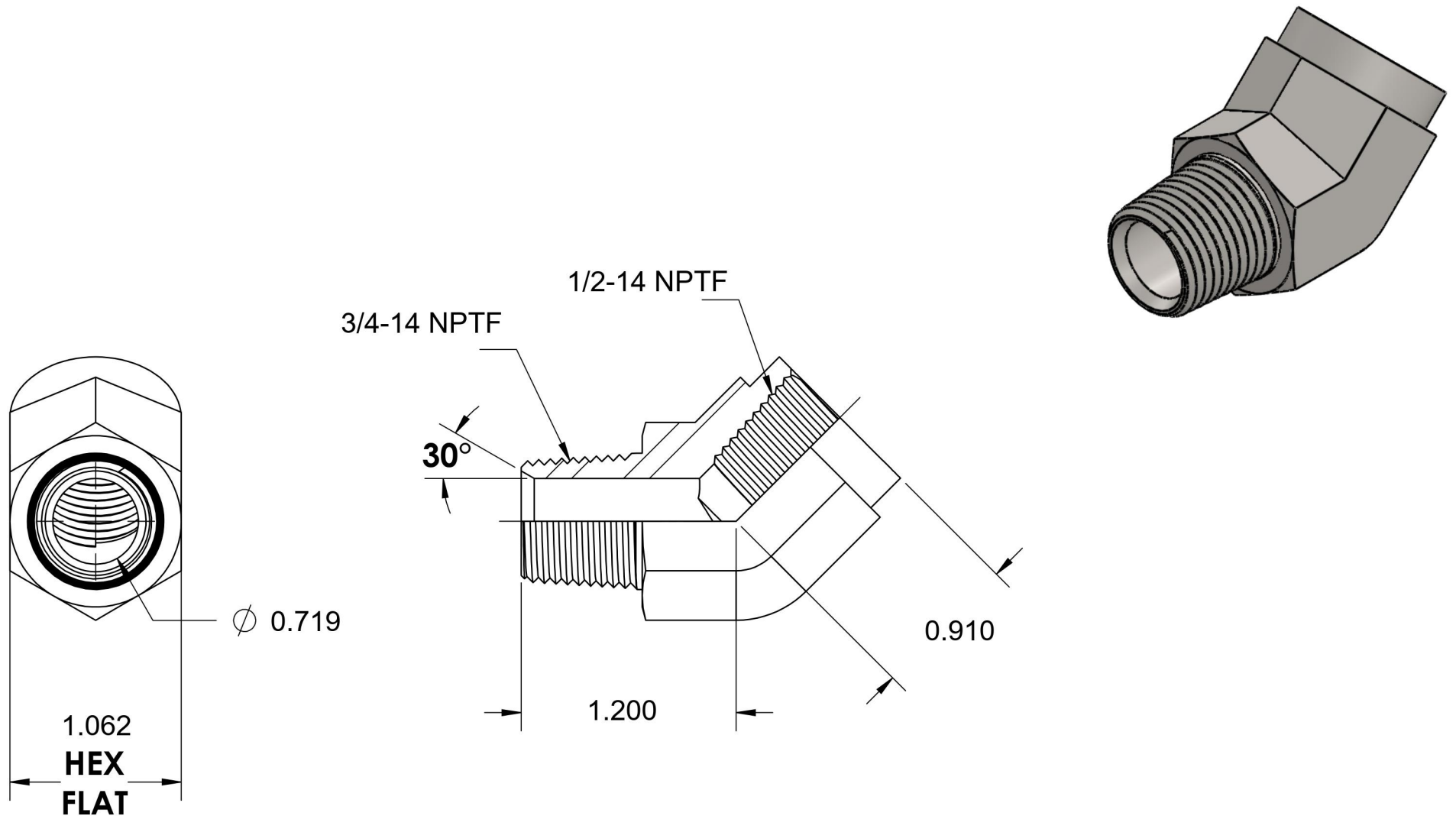


5503-12-08-FG

Steel, SAE J514 Pipe 45° Street Elbow, 3/4" Male NPTF 30° x 1/2" Female NPTF



6701 Cochran Road
Solon, Ohio 44139
Phone: (440) 248-1880
Toll Free: 1-888-331-1523

Temperature Rating	Material	Industry Standards SAE J514, SAE J476	Series 5503-FG
-65°F to 500°F	C1045 Steel		
Pressure Rating	Finish		Series Description
3000 psi	Trivalent Zinc		SAE J514 Pipe 45° Street Elbow