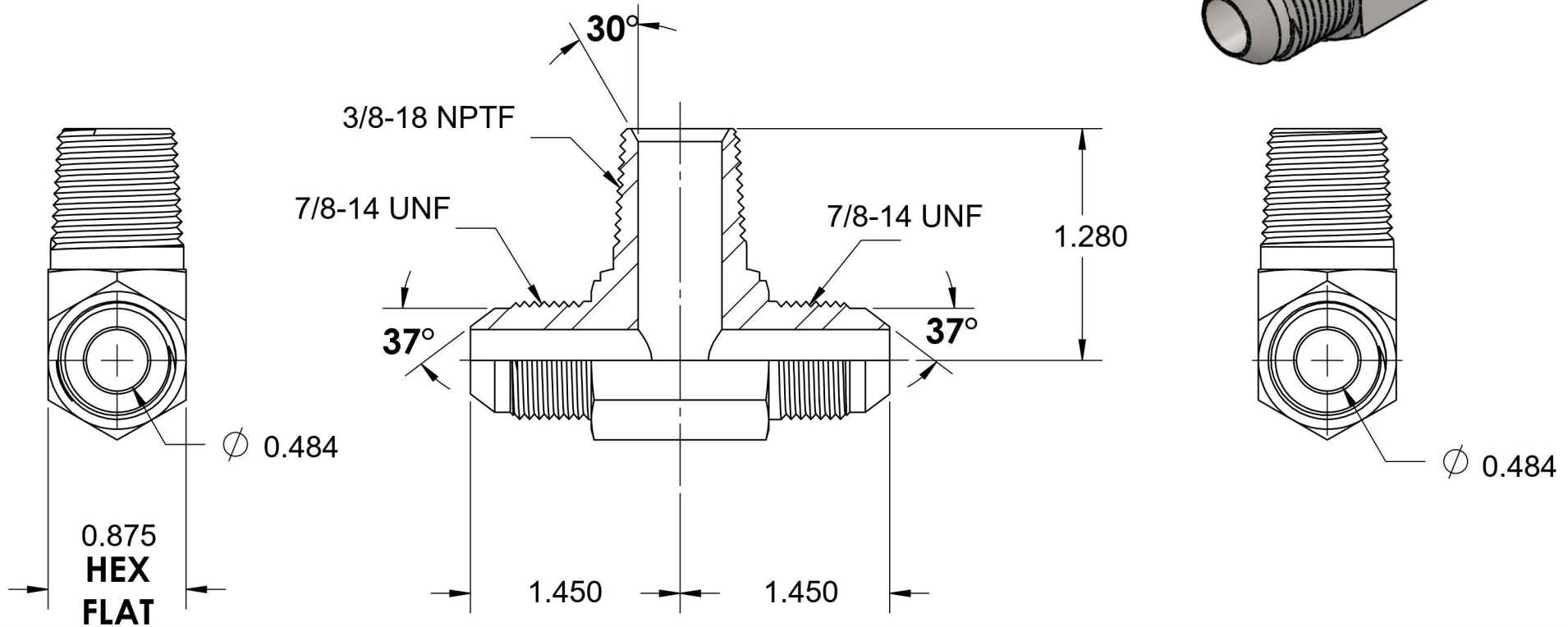
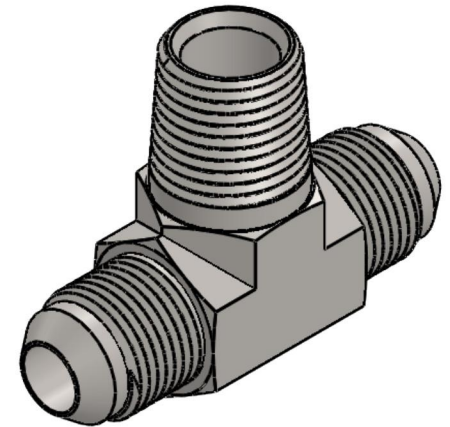
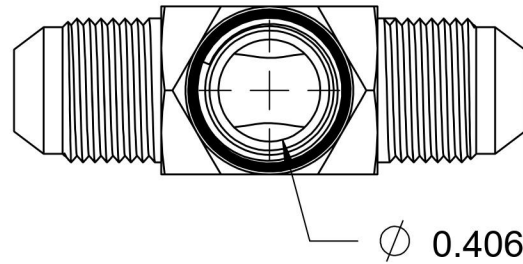


2601-10-10-06-FG

Steel, SAE J514 SAE J514 37° Flare Male Branch Tee, 5/8" Male JIC x 5/8" Male JIC x 3/8" Male NPTF 30°



6701 Cochran Road
Solon, Ohio 44139
Phone: (440) 248-1880
Toll Free: 1-888-331-1523

| | | | |
|---|---------------------------------|--|--|
| Temperature Rating -65°F to 500°F | Material C1045 Steel | Industry Standards SAE J514 , SAE J476 | Series 2601-FG |
| Pressure Rating 5000 psi | Finish Trivalent Zinc | | Series Description SAE J514 37° Flare Male Branch Tee |