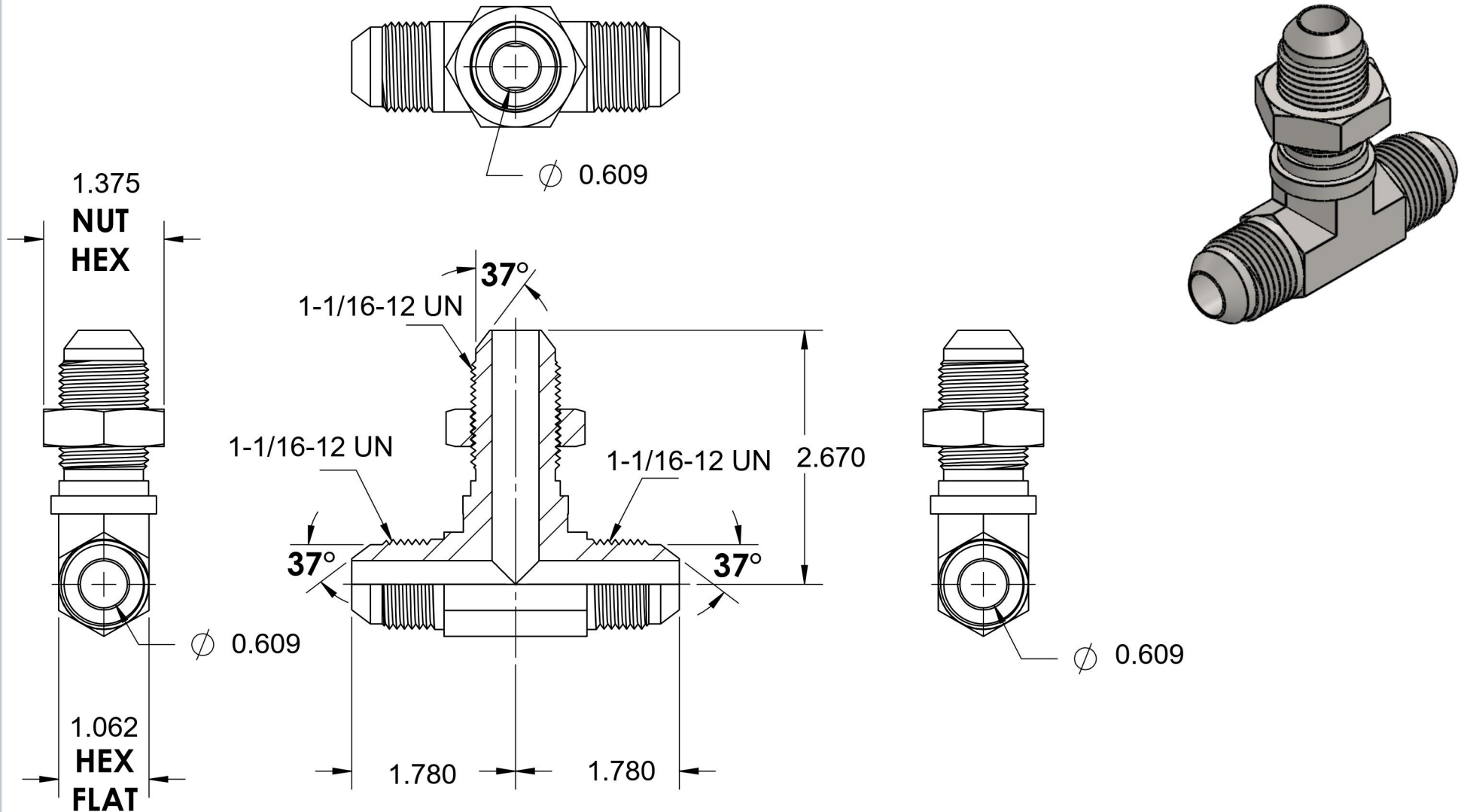


# 2703-LN-12-12-12-FG

Steel, SAE J514 37° Flare Bulkhead Branch Tee With Lock Nut, 3/4" Male JIC



6701 Cochran Road  
Solon, Ohio 44139  
Phone: (440) 248-1880  
Toll Free: 1-888-331-1523

|                           |                 |                           |  |
|---------------------------|-----------------|---------------------------|--|
| <b>Temperature Rating</b> | <b>Material</b> | <b>Industry Standards</b> | <b>Series</b>  |
| -65°F to 500°F            | C1045 Steel     | SAE J514, ASTM B633       | 2703-LN-FG   |
| <b>Pressure Rating</b>    | <b>Finish</b>   |                           | <b>Series Description</b>                            |
| 5000psi                   | Trivalent Zinc  |                           | SAE J514 37° Flare Bulkhead Branch Tee With Lock Nut |