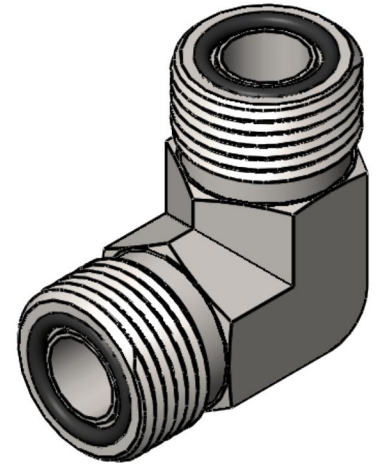
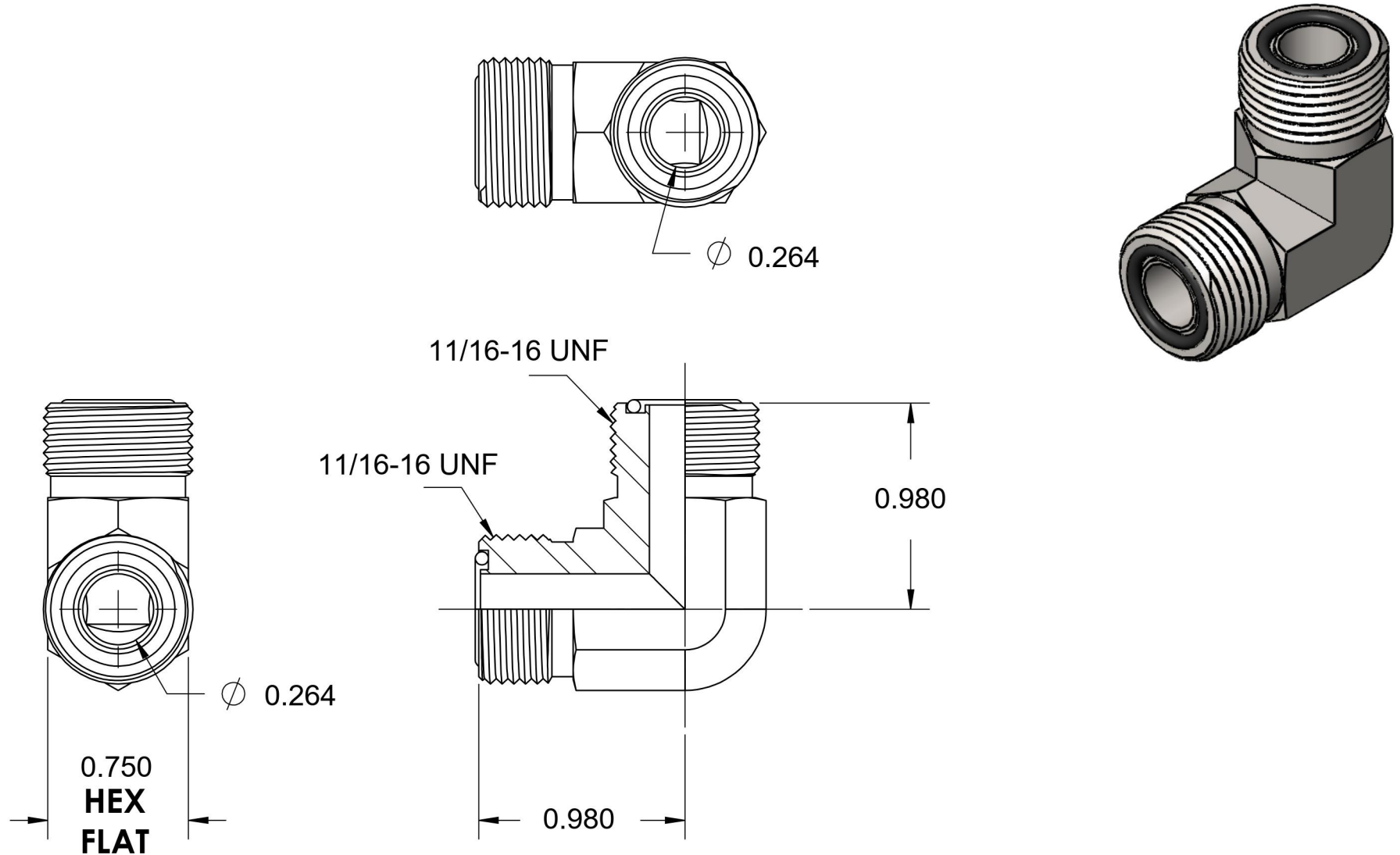


# FS2500-06-06-SS

Stainless Steel, SAE J1453 O-Ring Face Seal 90° Union Elbow, 3/8" Male ORFS x 3/8" Male ORFS



6701 Cochran Road  
Solon, Ohio 44139  
Phone: (440) 248-1880  
Toll Free: 1-888-331-1523

Temperature Rating	Material	Industry Standards	Series
-40°F to 250°F	316/316L Stainless		
Pressure Rating	Finish		Series Description
9200psi	Passivation		SAE J1453 O-Ring Face Seal 90° Union Elbow