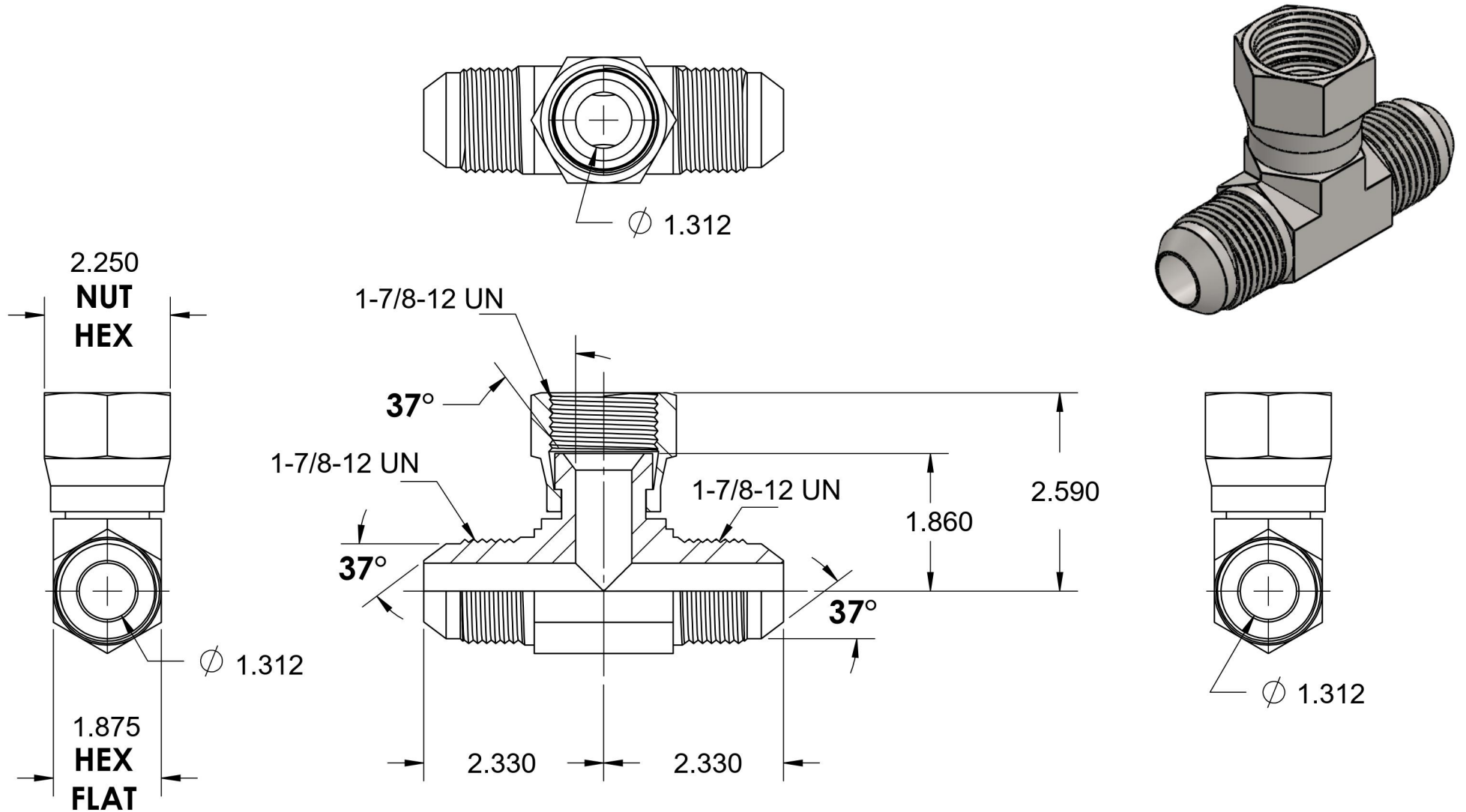


6600-24-24-24-SS

Stainless Steel, SAE J514 37° Flare Swivel Branch Tee, 1-1/2" Male JIC x 1-1/2" Male JIC x 1-1/2" Female JIC Swivel



6701 Cochran Road
Solon, Ohio 44139
Phone: (440) 248-1880
Toll Free: 1-888-331-1523

Temperature Rating

-425°F to 1200°F

Pressure Rating

2500 psi

Material

316/316L Stainless Steel

Finish

Passivated

Industry Standards

SAE J514

Series

6600-SS

Series Description

SAE J514 37° Flare Swivel Branch Tee