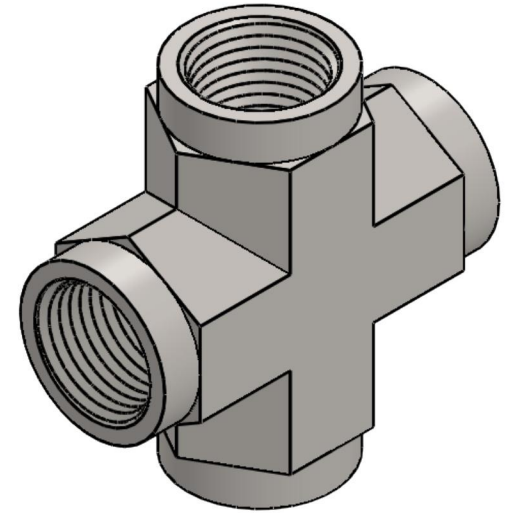
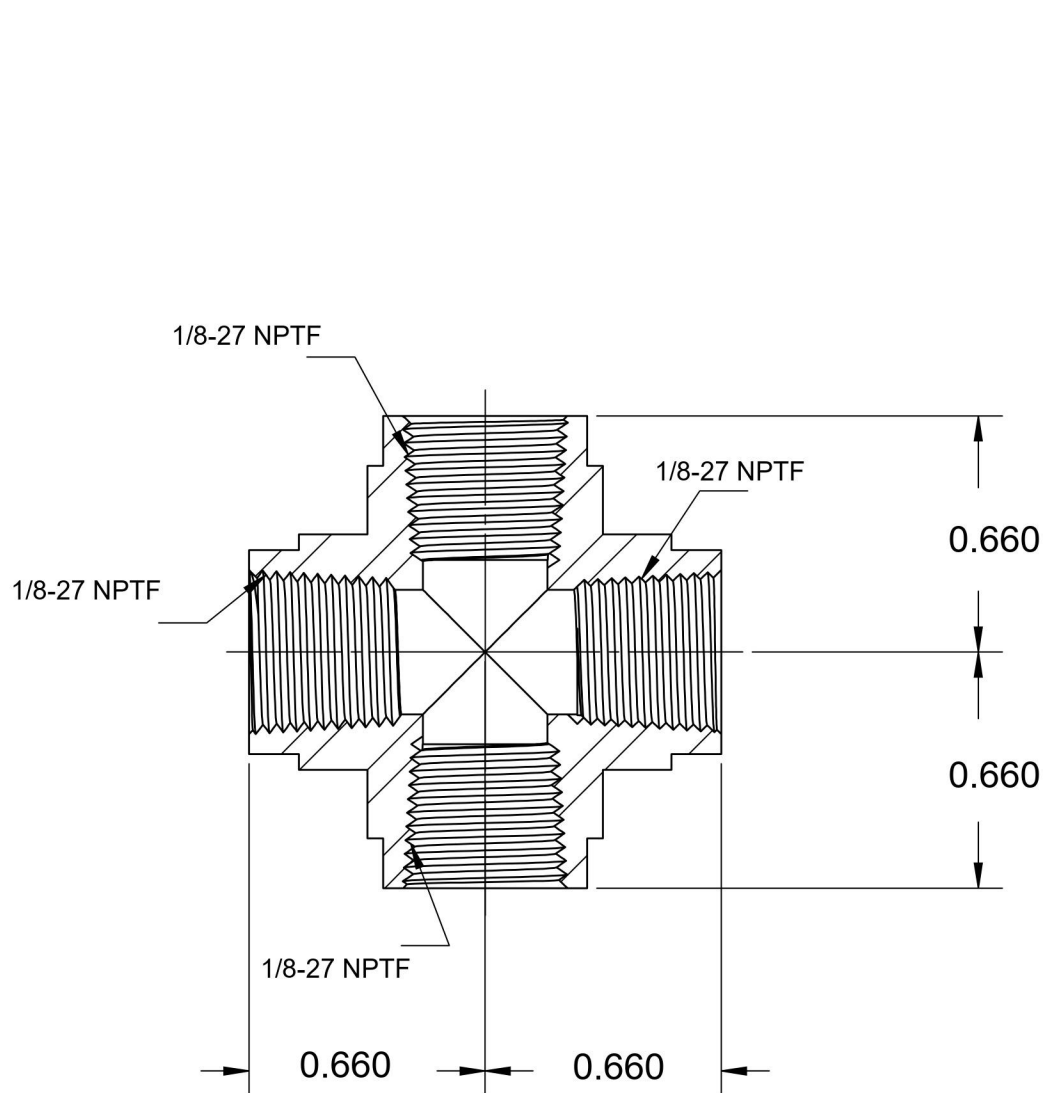
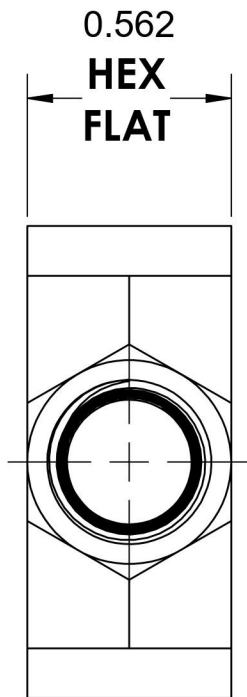


# 5652-02-02-02-SS

Stainless Steel, SAE J514 Pipe Female Cross, 1/8" Female NPTF



6701 Cochran Road  
Solon, Ohio 44139  
Phone: (440) 248-1880  
Toll Free: 1-888-331-1523

**Temperature Rating**

-425°F to 1200°F

**Pressure Rating**

5000 psi

**Material**

316/316L Stainless

**Finish**

Passivation

**Industry Standards**

SAE J514, SAE J476

**Series**

**5652-FG**

**Series Description**

SAE J514 Pipe Female Cross