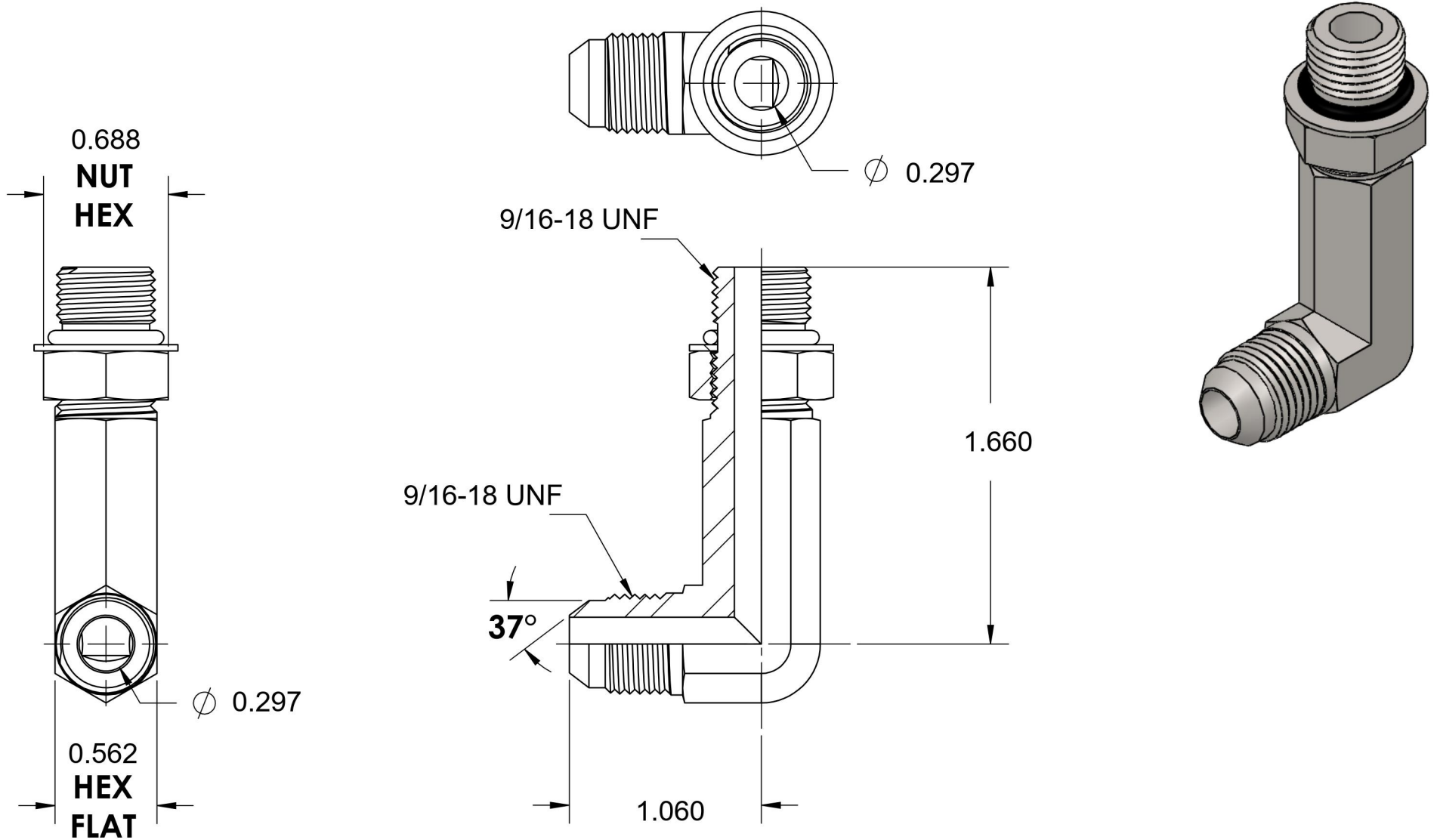


6801-L-06-06-NWO-SS

Stainless Steel, SAE J514 37° Flare 90° Long Adjustable Port Elbow, 3/8" Male JIC x 9/16-18 Male Adjustable ORB



6701 Cochran Road
Solon, Ohio 44139
Phone: (440) 248-1880
Toll Free: 1-888-331-1523

Temperature Rating

-40°F to 250°F

Pressure Rating

5400psi

Material

316/316L Stainless

Finish

Passivation

Industry Standards

SAE J514, SAE J1926-3

Series

6801-L-NWO-FG

Series Description

SAE J514 37° Flare 90° Long Adjustable Port Elbow