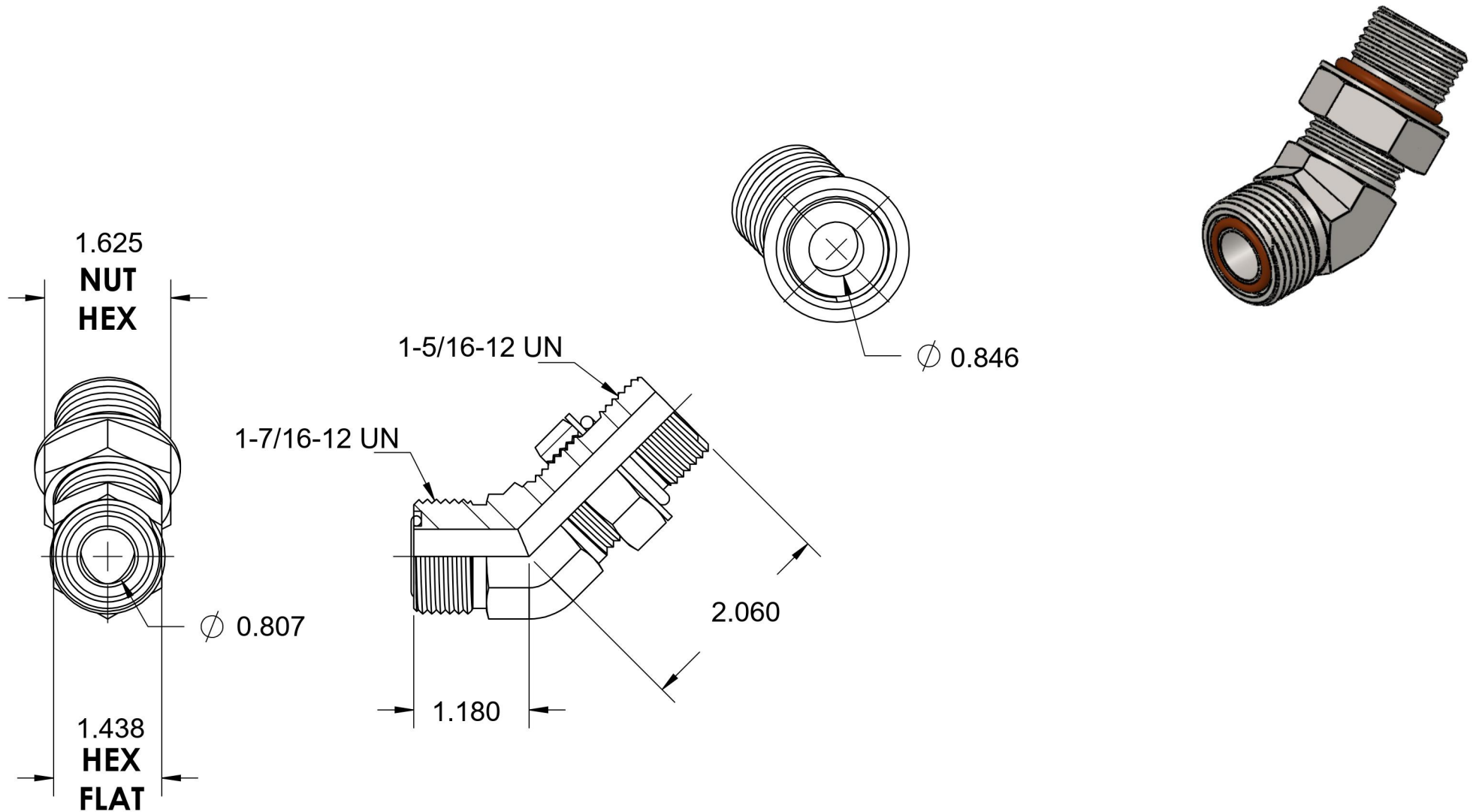


FS6802-16-16-NWO-FG-VITON

Steel, SAE J1453 O-Ring Face Seal 45° Adjustable Port Elbow, 1" Male ORFS x 1-5/16-12 Male Adjustable ORB, FKM Seal



6701 Cochran Road
Solon, Ohio 44139
Phone: (440) 248-1880
Toll Free: 1-888-331-1523

| | | | |
|---------------------------|-----------------|---|---|
| Temperature Rating | Material | Industry Standards | Series |
| -15°F to 400°F | C1045 Steel | SAE J1453, SAE J1926-2 SAE J515, ASTM B633 | FS6802-NWO-FG-VITON |
| Pressure Rating | Finish | | Series Description |
| 5500 psi | Trivalent Zinc | | SAE J1453 O-Ring Face Seal 45° Adjustable Port Elbow |