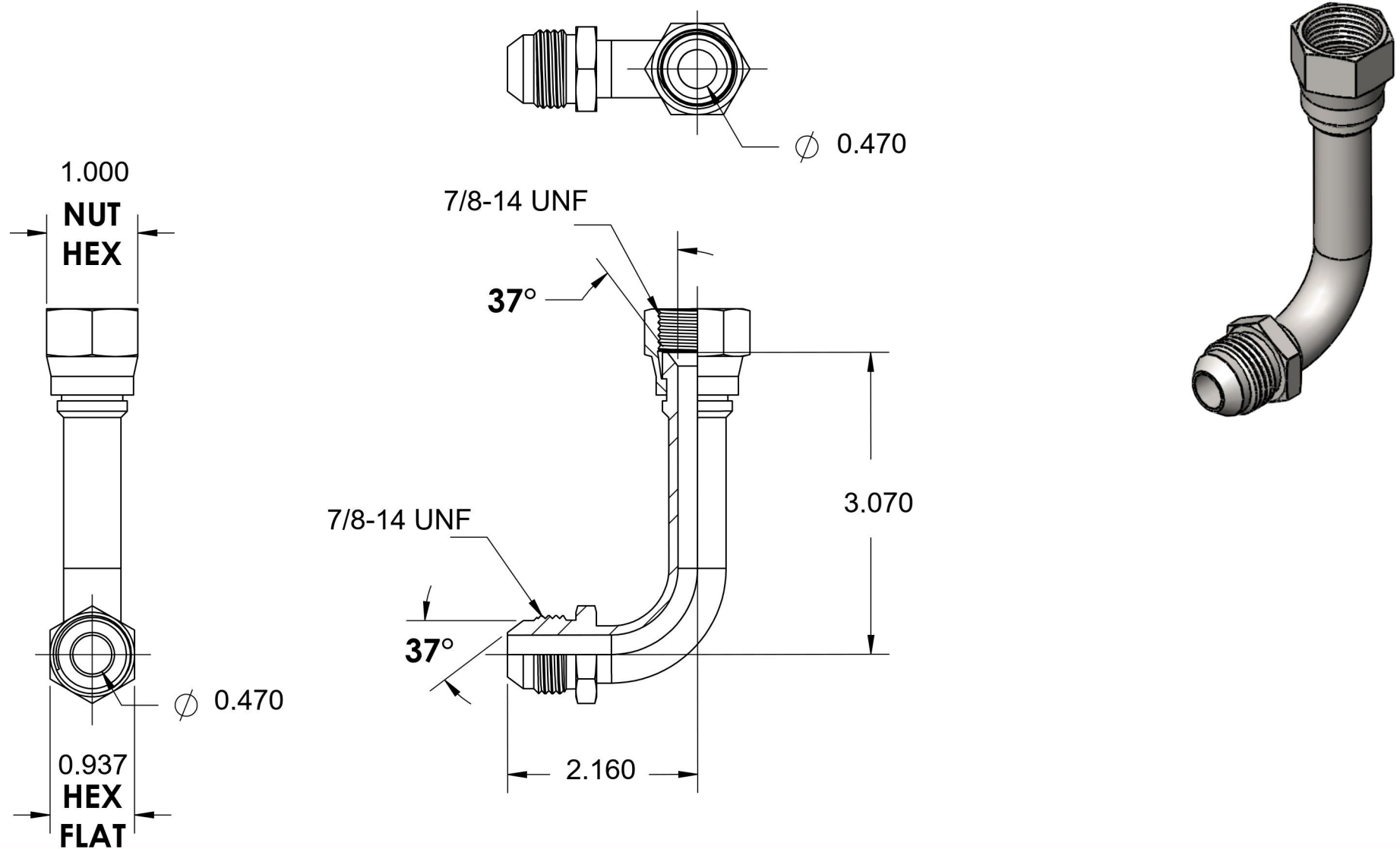


6701-L-10-10

Steel, SAE J514 37° Flare 90° Long Swept Swivel Elbow, 5/8" Male JIC x 5/8" Female JIC Swivel



6701 Cochran Road
Solon, Ohio 44139
Phone: (440) 248-1880
Toll Free: 1-888-331-1523

Temperature Rating -65°F to 500°F	Material S20C Steel	Industry Standards SAE J514, ASTM B633	Series 6701-L
Pressure Rating 5000psi	Finish Trivalent Zinc		Series Description SAE J514 37° Flare 90° Long Swept Swivel Elbow