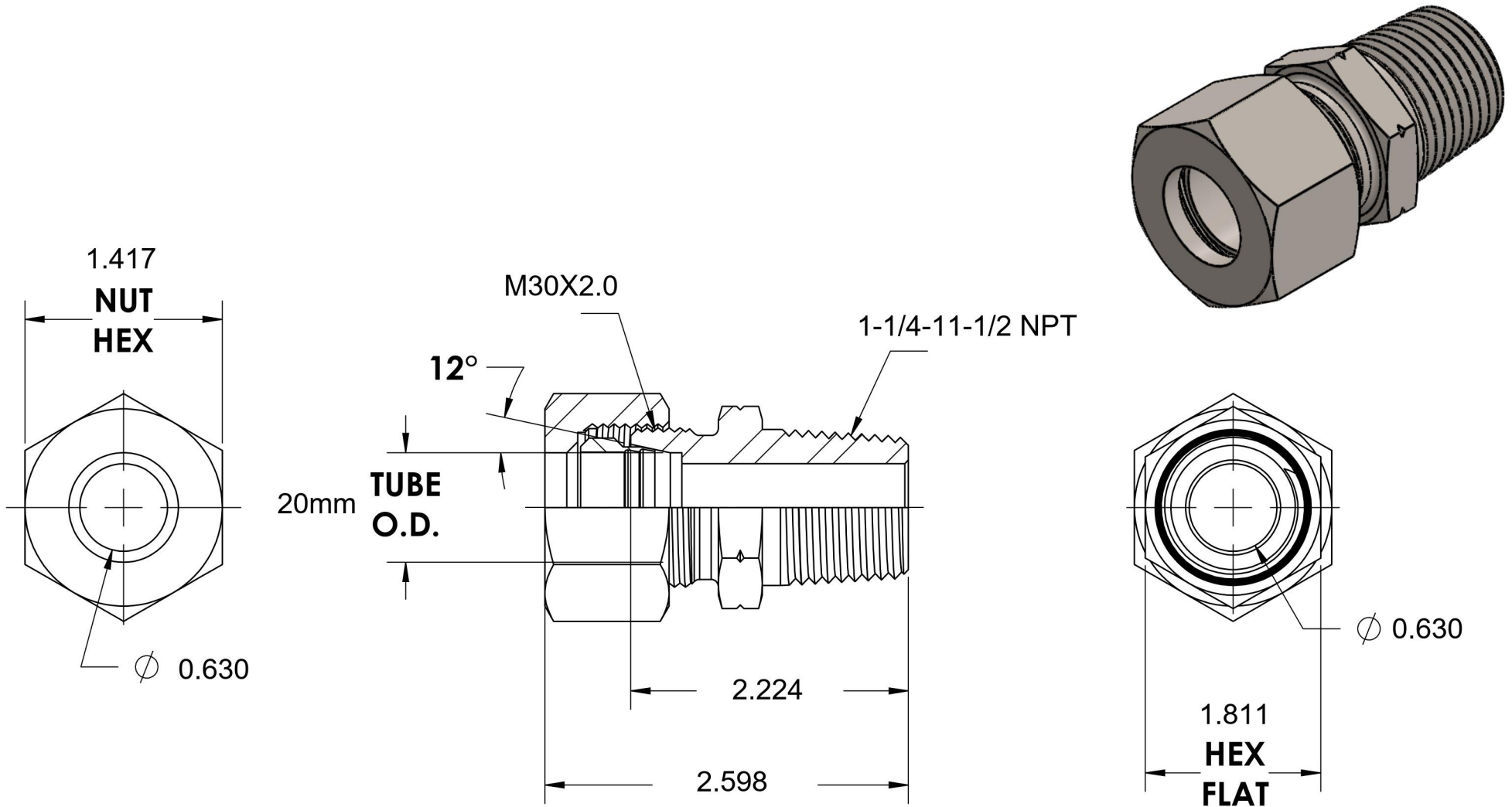


D2404-S20-20-SS

Stainless Steel, DIN 2353 Male Connector, Heavy 20mm Tube OD x 1 1/4" NPT



6701 Cochran Road
Solon, Ohio 44139
Phone: (440) 248-1880
Toll Free: 1-888-331-1523

Temperature Rating

-425°F to 1200°F

Pressure Rating

5802psi

Material

316Ti Stainless

Finish

Passivation

Industry Standards

DIN 2353, ISO 8434-1
ANSI/ASME B1.20.1

Series

D2404

Series Description

DIN 2353 Flareless Tube
Male Connector