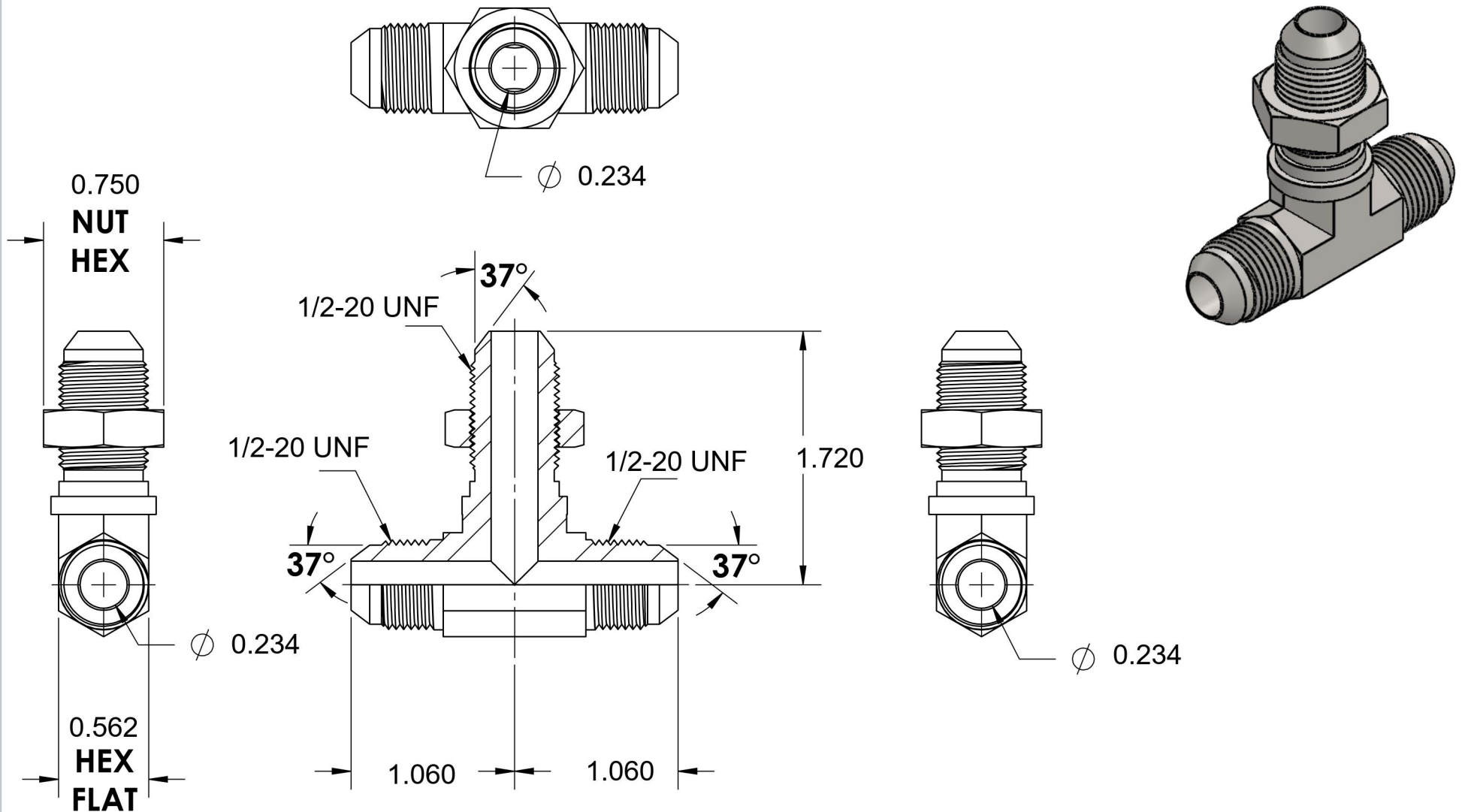


# 2703-LN-05-05-05-FG

Steel, SAE J514 37° Flare Bulkhead Branch Tee With Lock Nut, 5/16" Male JIC



6701 Cochran Road  
Solon, Ohio 44139  
Phone: (440) 248-1880  
Toll Free: 1-888-331-1523

Temperature Rating	Material	Industry Standards	Series
-65°F to 500°F	C1045 Steel	SAE J514, ASTM B633	2703-LN-FG
Pressure Rating	Finish		Series Description
6000psi	Trivalent Zinc		SAE J514 37° Flare Bulkhead Branch Tee With Lock Nut