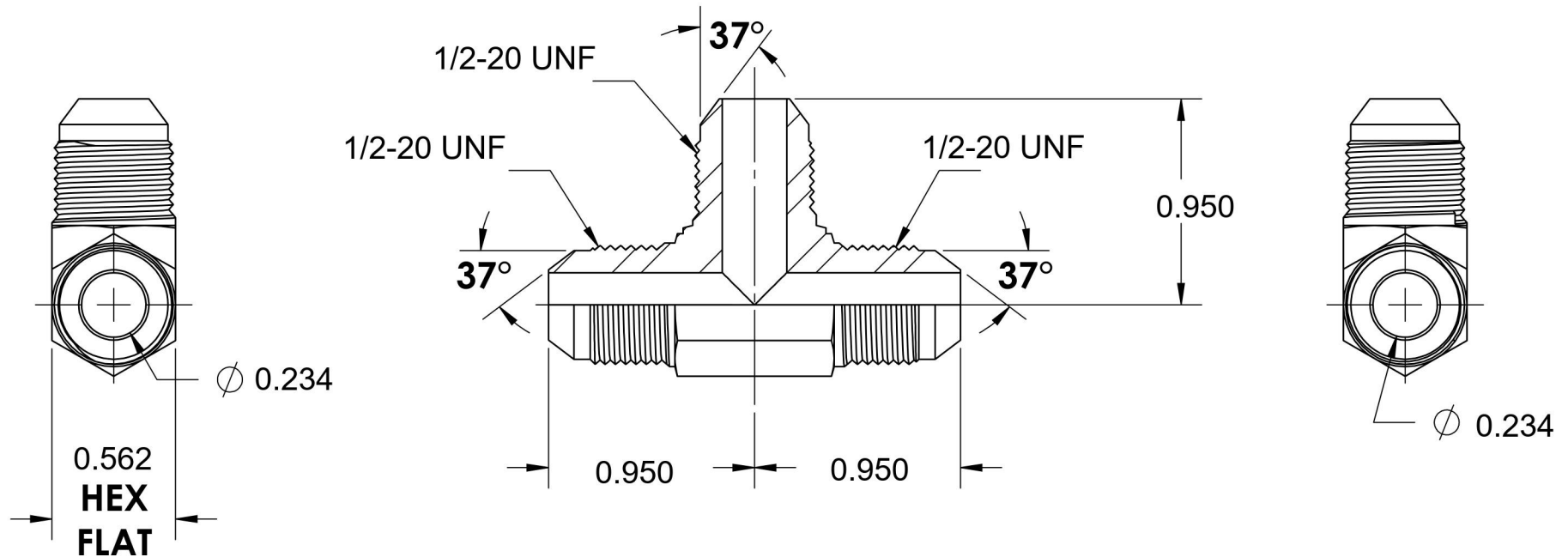
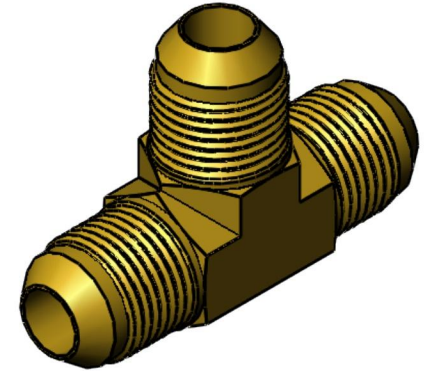
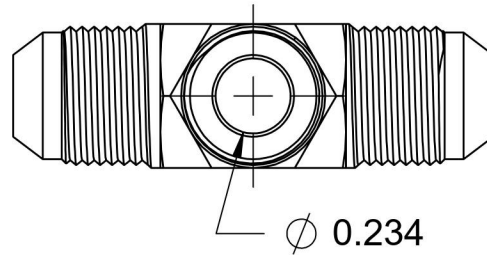


# 2603-05-05-05-B

## Brass, SAE J514 37° Flare Union Tee, 5/16" Male JIC



6701 Cochran Road  
Solon, Ohio 44139  
Phone: (440) 248-1880  
Toll Free: 1-888-331-1523

**Temperature Rating**

-325°F to 400°F

**Pressure Rating**

3300 psi

**Material**

CA37700 Brass

**Finish**

Natural Finish

**Industry Standards**

SAE J514

**Series**

2603-B

**Series Description**

SAE J514 37° Flare Union Tee