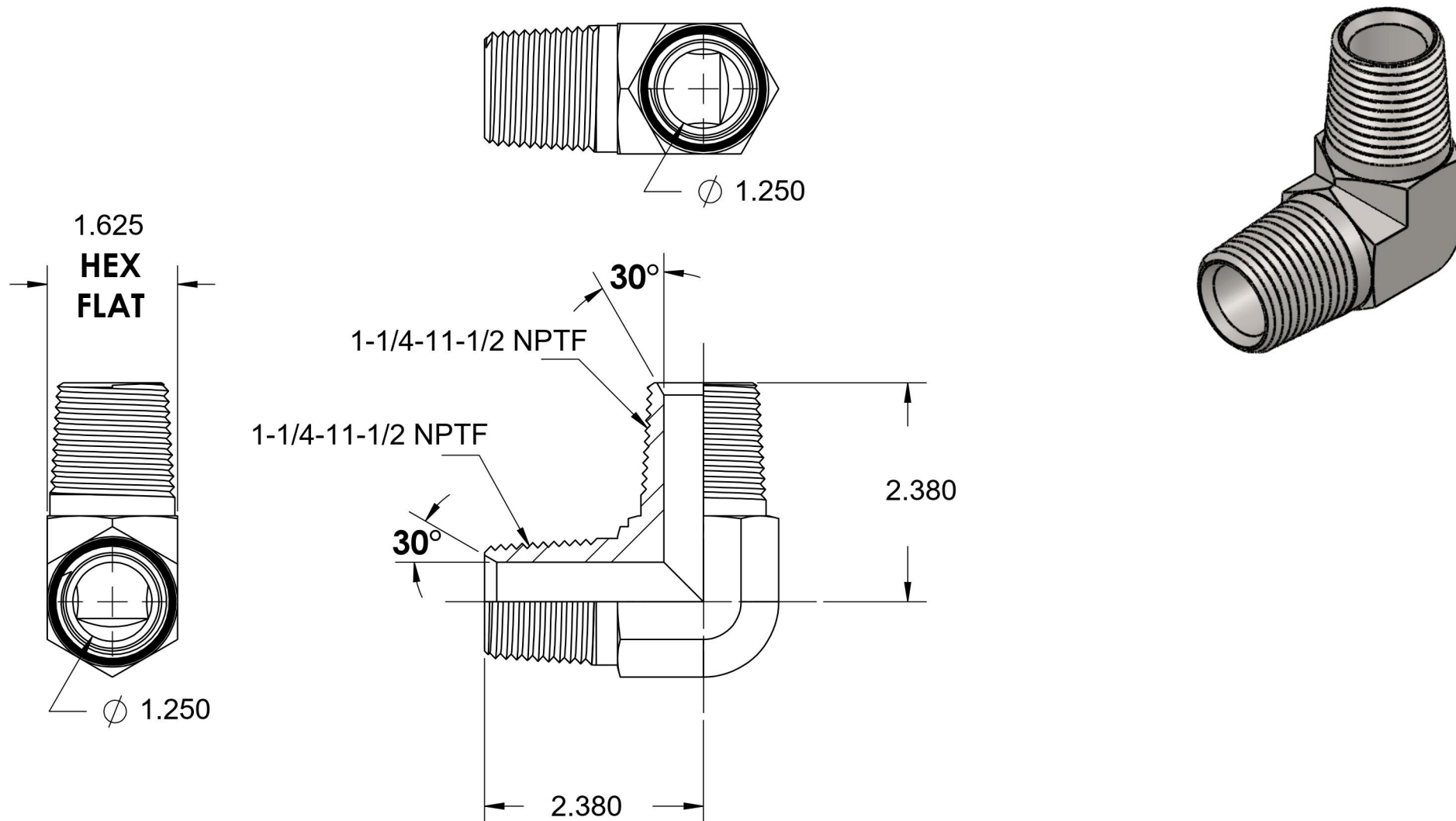


# 5500-20-20-SS

Stainless Steel, SAE J514 Pipe 90° Male Elbow, 1-1/4" Male NPTF 30° x 1-1/4" Male NPTF 30°



6701 Cochran Road  
Solon, Ohio 44139  
Phone: (440) 248-1880  
Toll Free: 1-888-331-1523

#### Temperature Rating

-425°F to 1200°F

#### Pressure Rating

2500 psi

#### Material

316/316L Stainless Steel

#### Finish

Passivated

#### Industry Standards

SAE J514 , SAE J476

#### Series

5500-SS

#### Series Description

SAE J514 Pipe 90° Male Elbow