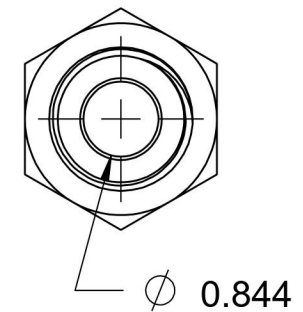
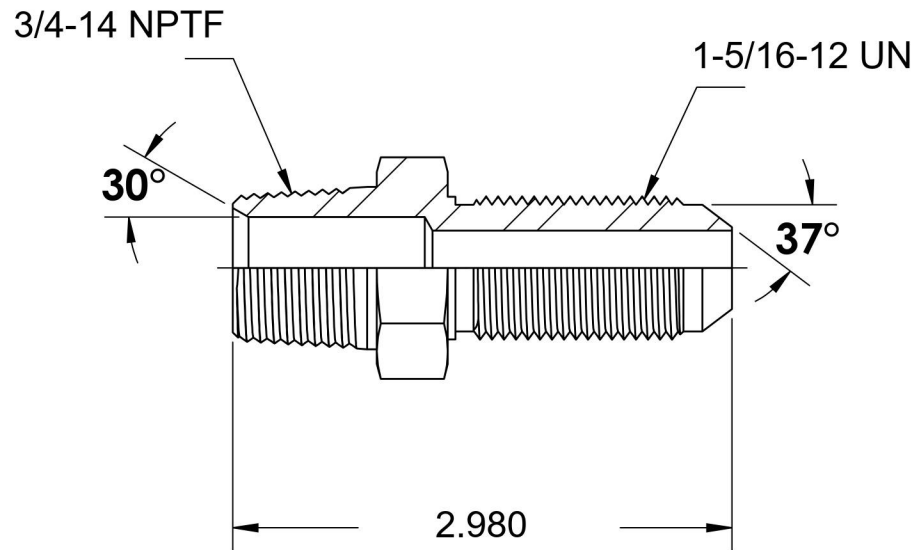
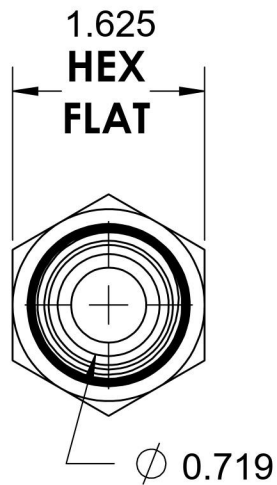
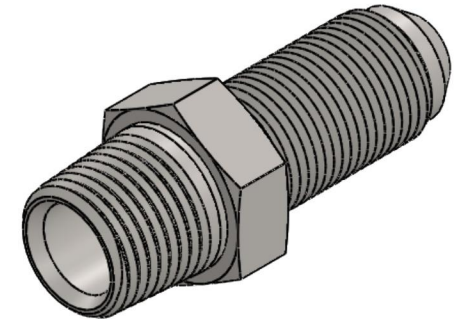


2706-12-16-SS

Steel, SAE J514 Flared Tube Male Bulkhead, 2" Male NPTF 30° x 2" Male JIC



6701 Cochran Road
Solon, Ohio 44139
Phone: (440) 248-1880
Toll Free: 1-888-331-1523

Temperature Rating	Material	Industry Standards	Series
-425°F to 1200°F	316/316L Stainless Steel	SAE J514 , SAE J476	2706-SS
Pressure Rating	Finish		Series Description
4500 psi	Passivated		SAE J514 Flared Tube Male Bulkhead