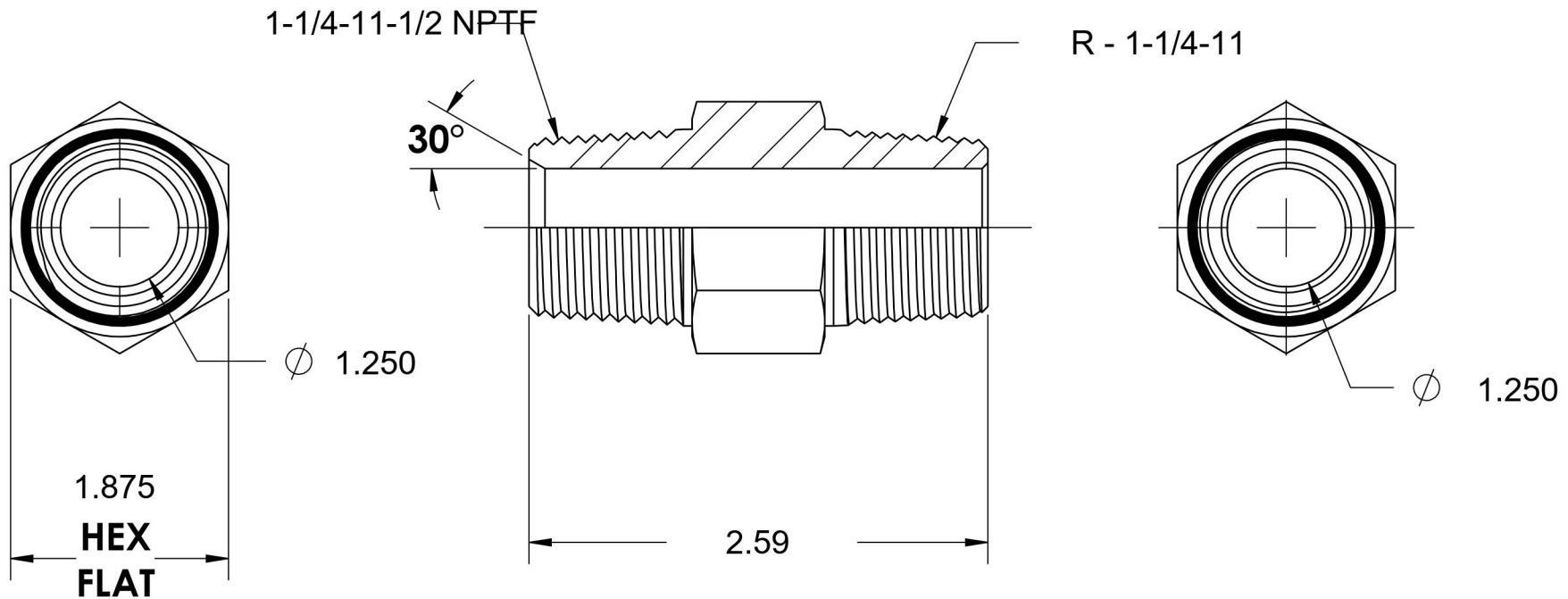


7030-20-20

Steel, SAE J476 Pipe Male BSPT Nipple, 1-1/4" Male NPTF 30° x 1-1/4" Male BSPT



6701 Cochran Road
Solon, Ohio 44139
Phone: (440) 248-1880
Toll Free: 1-888-331-1523

Temperature Rating	Material	Industry Standards	Series
-65°F to 500°F	C1045 / 12L14 Steel	SAE J476, ISO 7-1	7030
Pressure Rating	Finish	ASTM B633	Series Description
2300 psi	Trivalent Zinc		SAE J476 Pipe Male BSPT Nipple