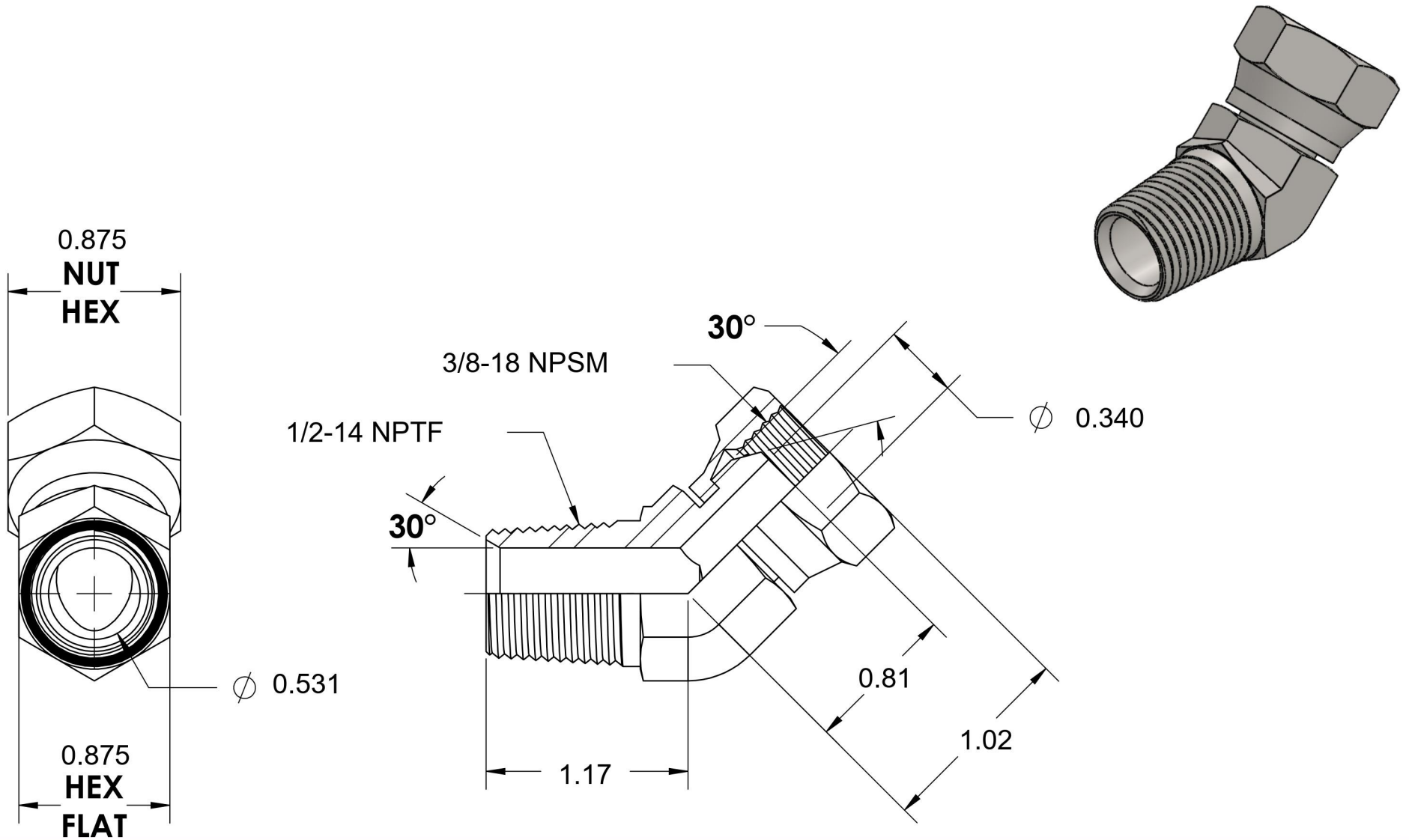


1503-08-06-SS

Stainless Steel, SAE J514 NPSM Swivel 45° Male Elbow, 1/2" Male NPTF 30° x 3/8" Female NPSM Swivel



6701 Cochran Road
Solon, Ohio 44139
Phone: (440) 248-1880
Toll Free: 1-888-331-1523

| | | | |
|---------------------------|--------------------------|--|---------------|
| Temperature Rating | Material | Industry Standards | Series |
| -425°F to 1200°F | 316/316L Stainless Steel | SAE J514, SAE J476 | 1503-SS |
| Pressure Rating | Finish | Series Description | |
| 5000 psi | Passivated | SAE J514 NPSM Swivel 45° Male Elbow | |