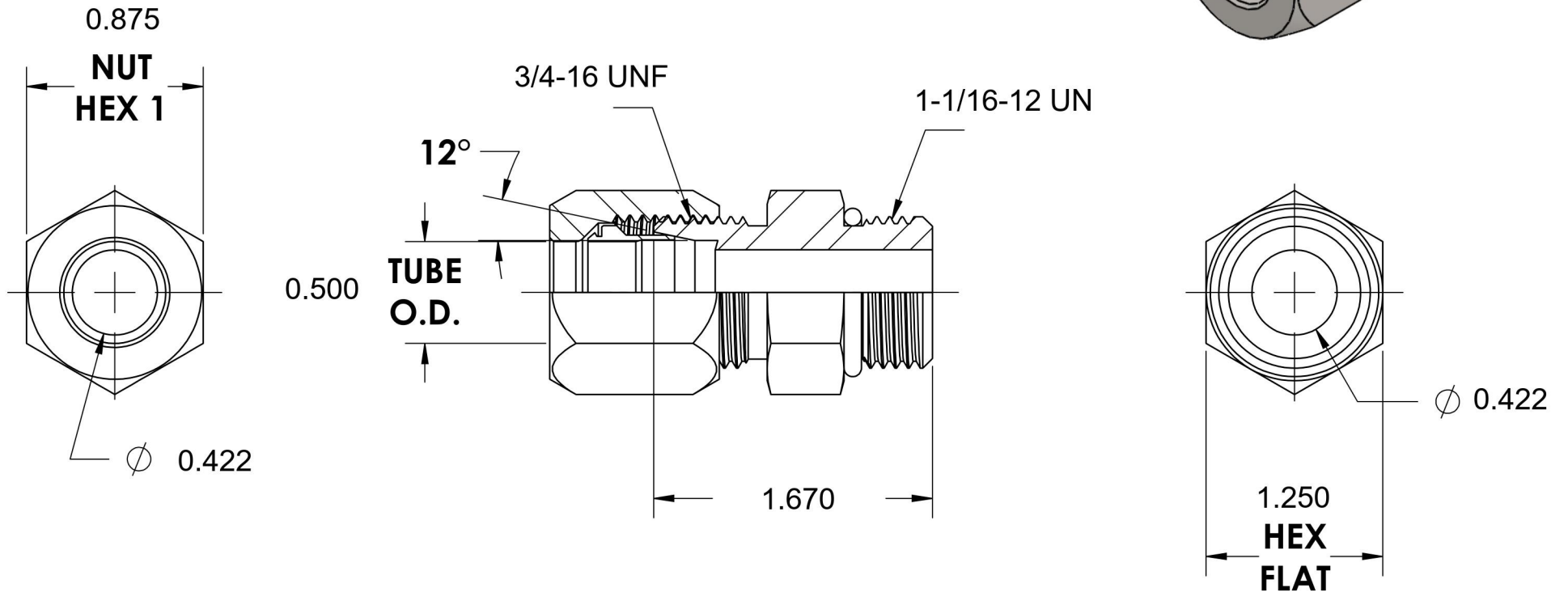
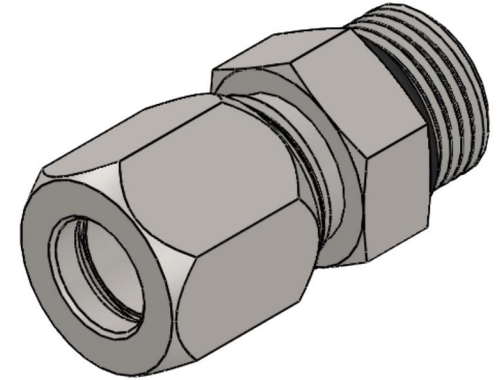


# C6400-08-12-O-SS

Stainless Steel, SAE J514 Flareless Tube Port Connector, 1/2" Flareless Bite Type x 1-1/16-12 Male ORB



6701 Cochran Road  
Solon, Ohio 44139  
Phone: (440) 248-1880  
Toll Free: 1-888-331-1523

<b>Temperature Rating</b>	<b>Material</b>	<b>Industry Standards</b> SAE J514, SAE J1926	<b>Series</b> C6400-O
<b>Pressure Rating</b> 4500psi	<b>Finish</b> Passivation		<b>Series Description</b> SAE J514 Flareless Tube Port Connector