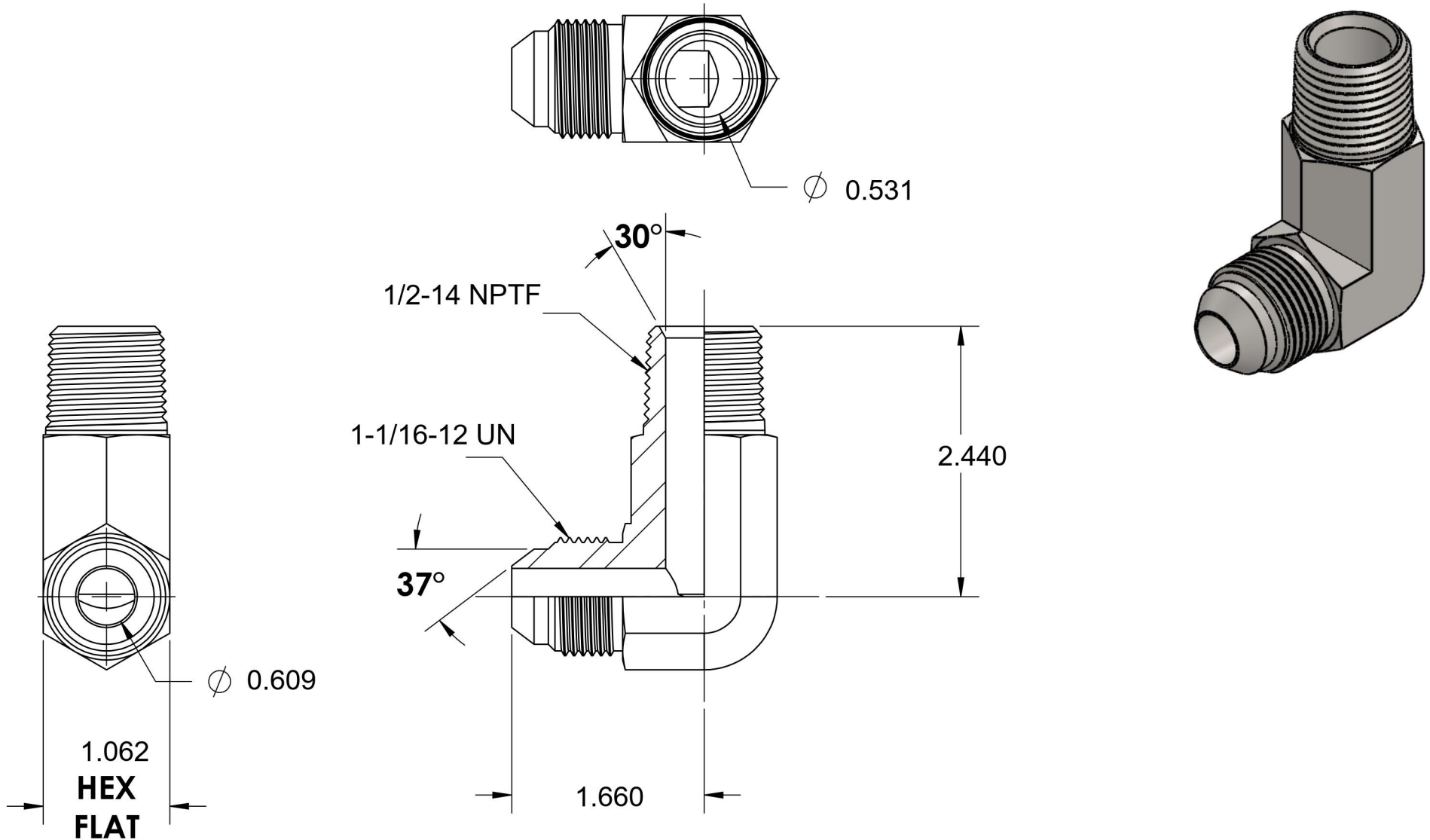


# 2501-L-12-08-SS

Stainless Steel, SAE J514 37° Flare 90° Long Male Elbow, 3/4" Male JIC x 1/2" Male NPTF 30°



6701 Cochran Road  
Solon, Ohio 44139  
Phone: (440) 248-1880  
Toll Free: 1-888-331-1523

<b>Temperature Rating</b> -425°F to 1200°F	<b>Material</b> 316/316L Stainless	<b>Industry Standards</b> SAE J514 , SAE J476	<b>Series</b> 2501-L-FG
<b>Pressure Rating</b> 4000psi	<b>Finish</b> Passivation		<b>Series Description</b> SAE J514 37° Flare 90° Long Male Elbow