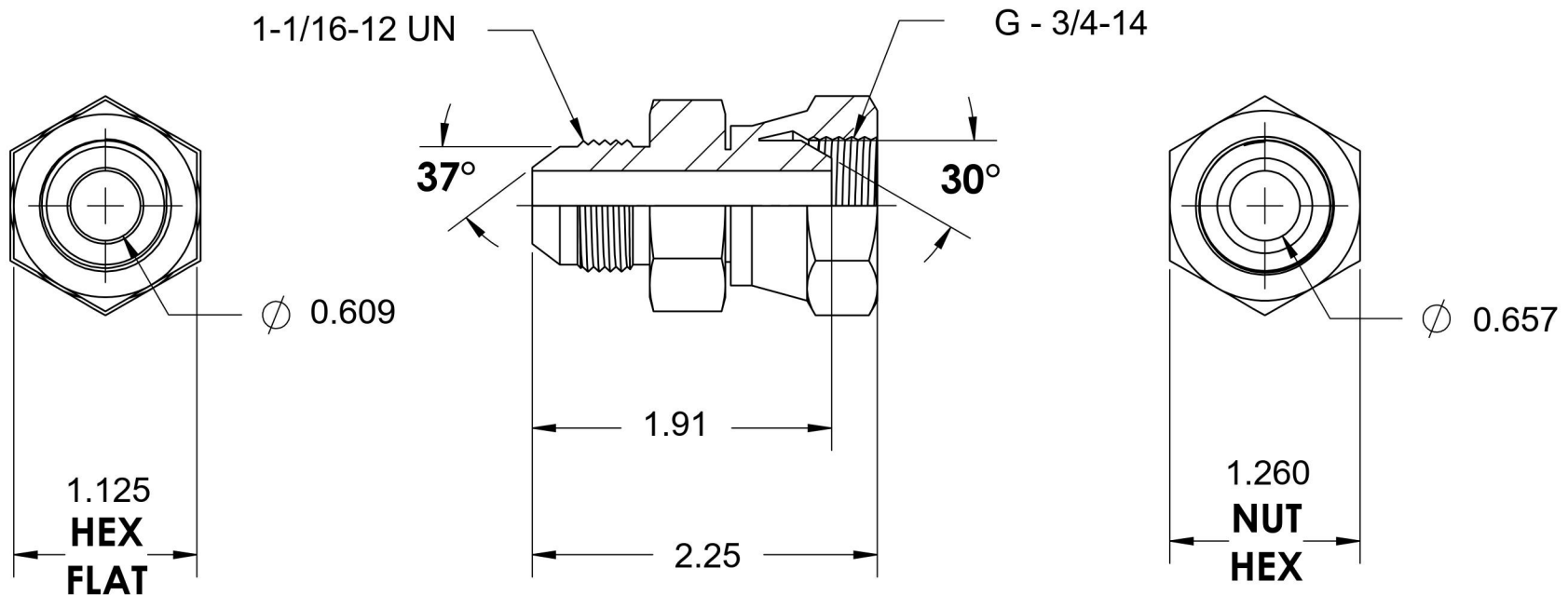
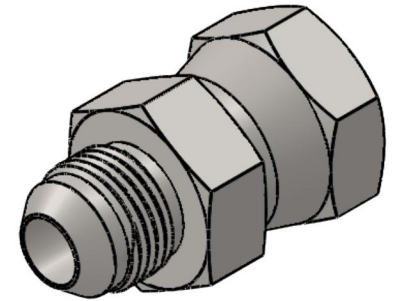


# 7004-12-12

Steel, SAE J514 37° Flare BSPP Swivel Line Adapter, 3/4" Male JIC x 3/4-14 Female BSPP Swivel



6701 Cochran Road  
Solon, Ohio 44139  
Phone: (440) 248-1880  
Toll Free: 1-888-331-1523

|                           |                     |                           |   |
|---------------------------|---------------------|---------------------------|---|
| <b>Temperature Rating</b> | <b>Material</b>     | <b>Industry Standards</b> | <b>Series</b>                               |
| -65°F to 500°F            | C1045 / 12L14 Steel | SAE J514, ISO 8434-6      | 7004  |
| <b>Pressure Rating</b>    | <b>Finish</b>       | ASTM B633                 | <b>Series Description</b>                   |
| 4000 psi                  | Trivalent Zinc      |                           | SAE J514 37° Flare BSPP Swivel Line Adapter |