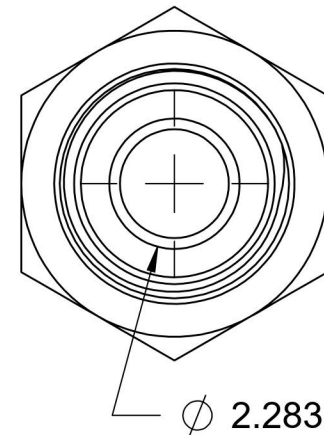
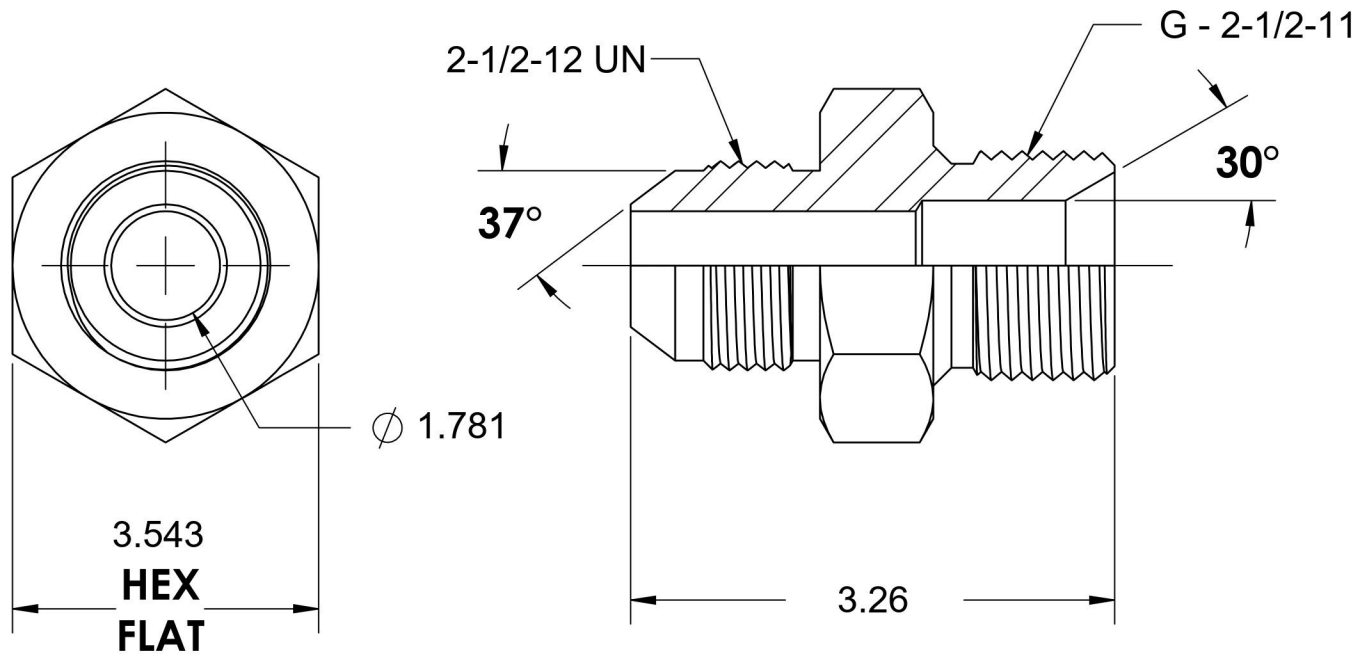


7002-32-40

Steel, SAE J514 37° Flare Male BSPP Port/Line Connector, 2" Male JIC x 2-1/2-11 Male BSPP 60° Line/Port



6701 Cochran Road
Solon, Ohio 44139
Phone: (440) 248-1880
Toll Free: 1-888-331-1523

| | | | |
|---------------------------|-------------------|---------------------------|--|
| Temperature Rating | Material | Industry Standards | Series |
| -65°F to 500°F | C1045/12L14 Steel | SAE J514, ISO 1179 | 7002 |
| Pressure Rating | Finish | ISO 8434-6, ASTM B633 | Series Description |
| Not Available | Trivalent Zinc | | SAE J514 37° Flare Male BSPP Port/Line Connector |