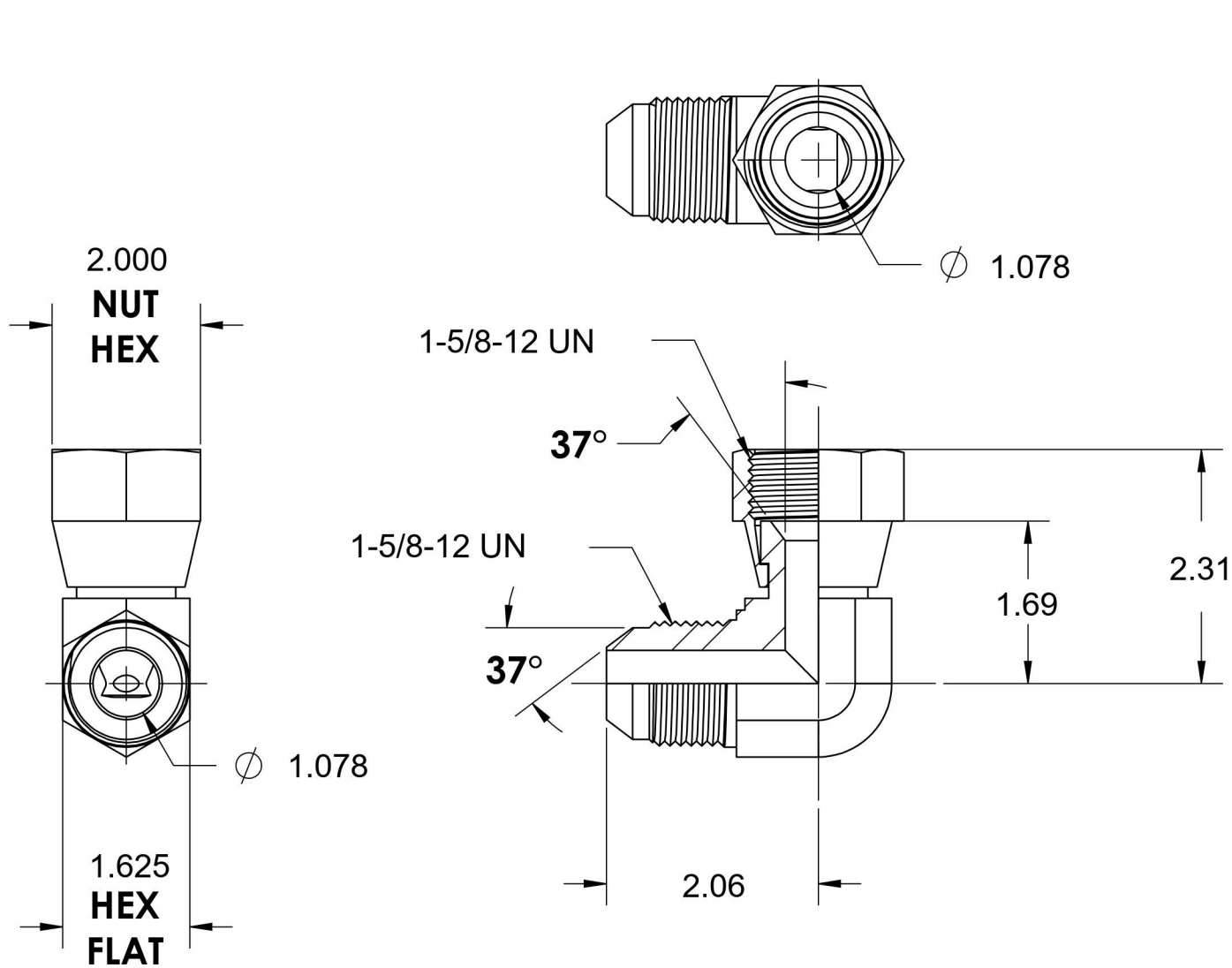


# 6500-20-20-FG

Steel, SAE J514 37° Flare 90° Swivel Elbow, 1-1/4" Male JIC x 1-1/4" Female JIC Swivel



6701 Cochran Road  
Solon, Ohio 44139  
Phone: (440) 248-1880  
Toll Free: 1-888-331-1523

**Temperature Rating**

-65°F to 500°F

**Material**

C1045 Steel

**Industry Standards**

SAE J514, ASTM B633

**Series**

6500-FG

**Pressure Rating**

4000 psi

**Finish**

Trivalent Zinc

**Series Description**

SAE J514 37° Flare  
90° Swivel Elbow