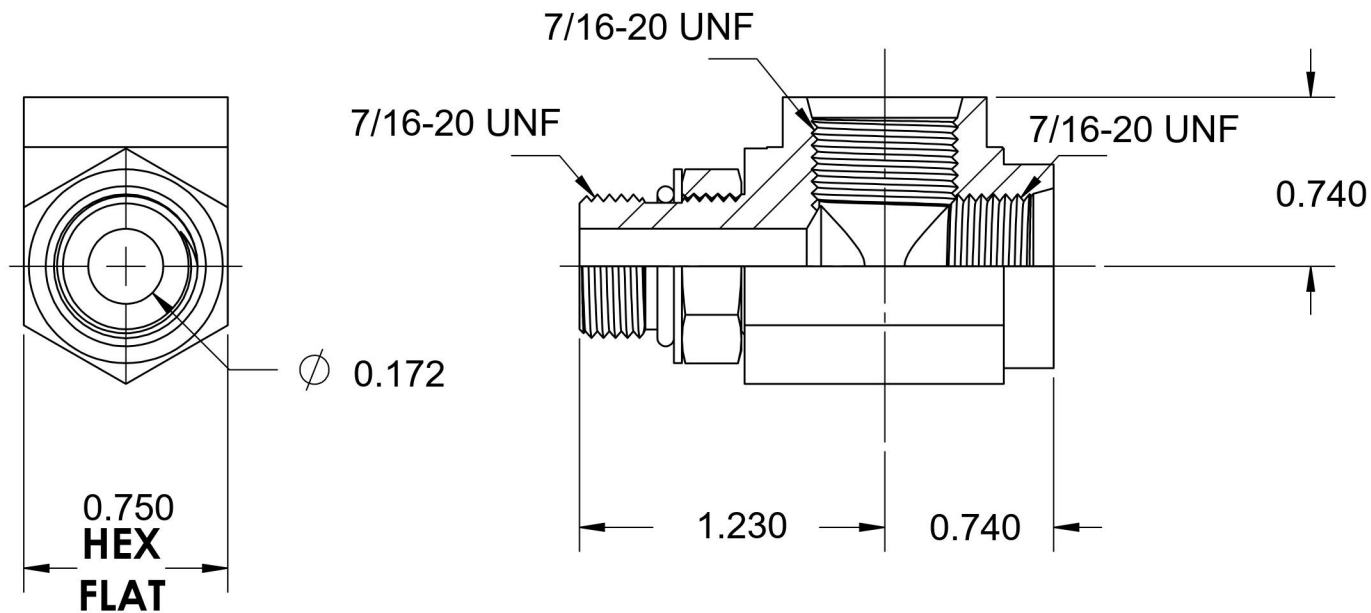
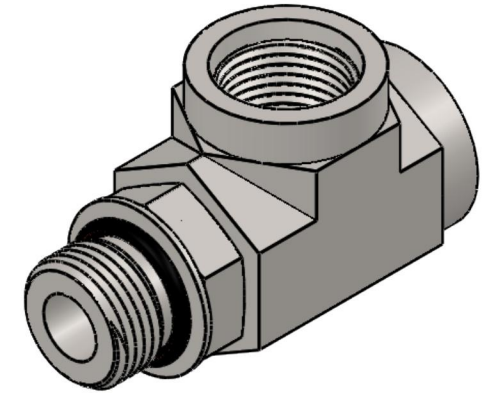
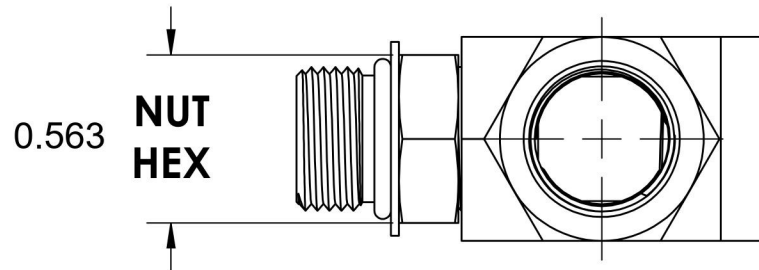


# 6835-04-04-04-NWO-FG

Steel, SAE J1926 Adjustable O-Ring Boss Female Port Run Tee, 7/16-20 Male Adjustable ORB x 7/16-20 Female ORB x 7/16-20 Female ORB



6701 Cochran Road  
Solon, Ohio 44139  
Phone: (440) 248-1880  
Toll Free: 1-888-331-1523

<b>Temperature Rating</b>	<b>Material</b>	<b>Industry Standards</b>	<b>Series</b>
-40°F to 250°F	C1045 Steel	SAE J1926-1, SAE J1926-3 SAE J515, ASTM B633	6835-NWO-FG
<b>Pressure Rating</b>	<b>Finish</b>		<b>Series Description</b>
6000 psi	Trivalent Zinc		SAE J1926 Adjustable O-Ring Boss Female Port Run Tee