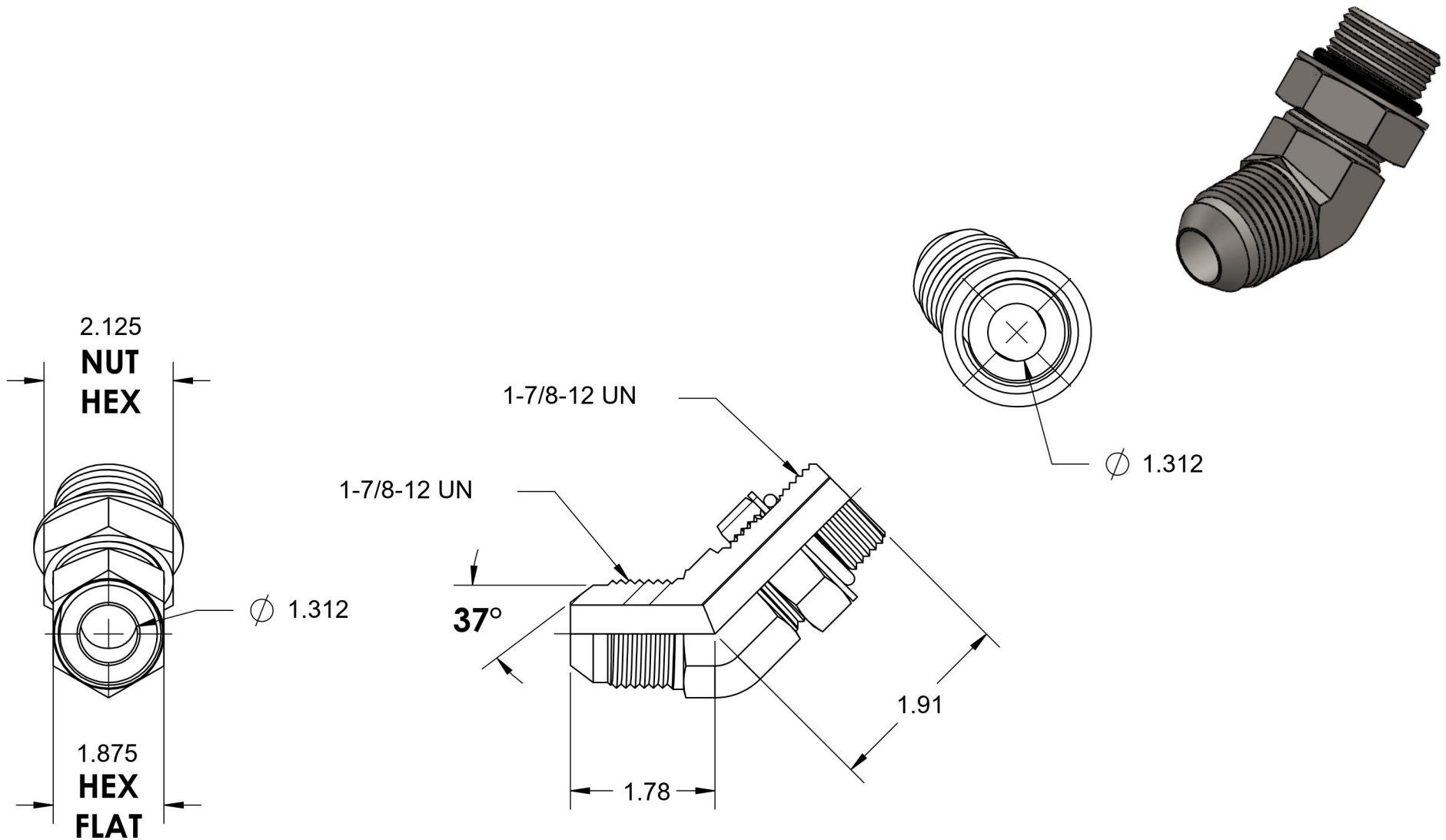


# 6802-24-24-NWO-SS

Stainless Steel, SAE J514 37° Flare 45° Adjustable Port Elbow, 1-1/2" Male JIC x 1-7/8-12 Male Adjustable ORB



6701 Cochran Road  
Solon, Ohio 44139  
Phone: (440) 248-1880  
Toll Free: 1-888-331-1523

|                           |                          |                                   |   |
|---------------------------|--------------------------|-----------------------------------|---|
| <b>Temperature Rating</b> | <b>Material</b>          | <b>Industry Standards</b>         | <b>Series</b>                                   |
| -40°F to 250°F            | 316/316L Stainless Steel | SAE J514, SAE J1926-3<br>SAE J515 | 6802-NWO-SS                                     |
| <b>Pressure Rating</b>    | <b>Finish</b>            |                                   | <b>Series Description</b>                       |
| 2000 psi                  | Passivated               |                                   | SAE J514 37° Flare<br>45° Adjustable Port Elbow |