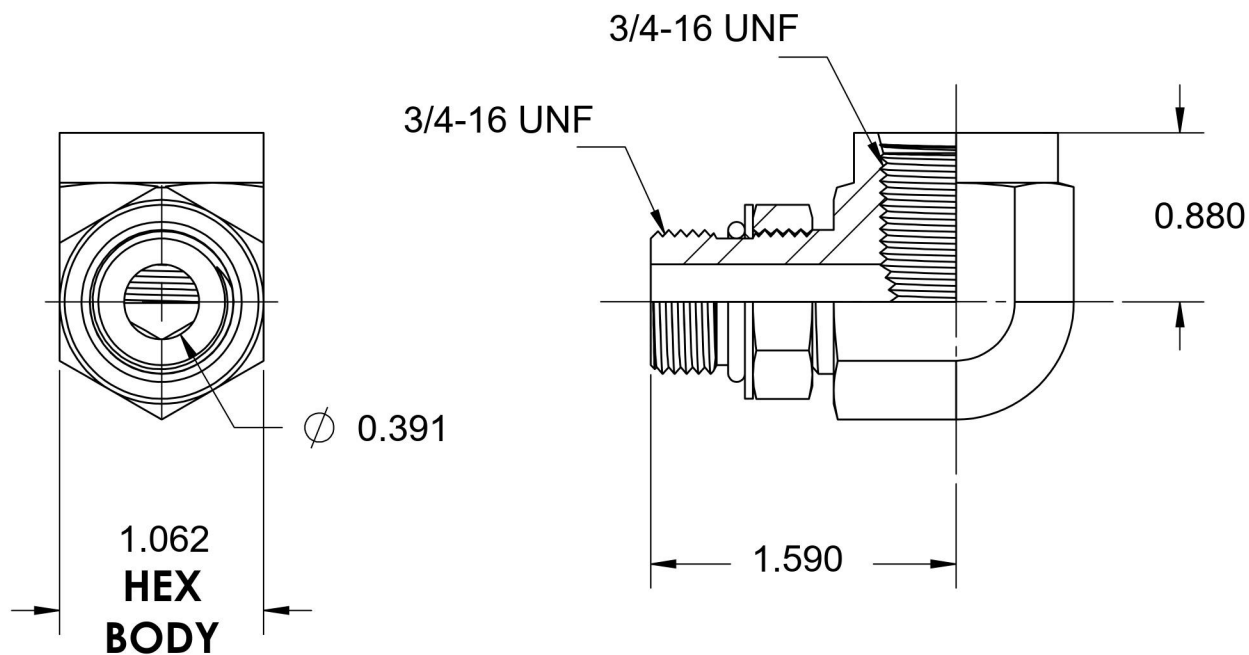
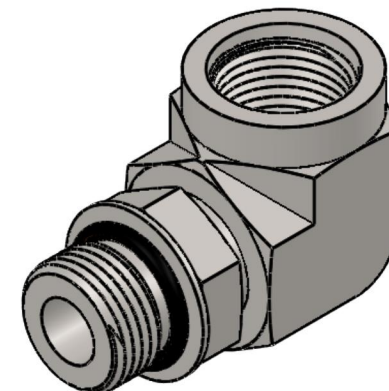
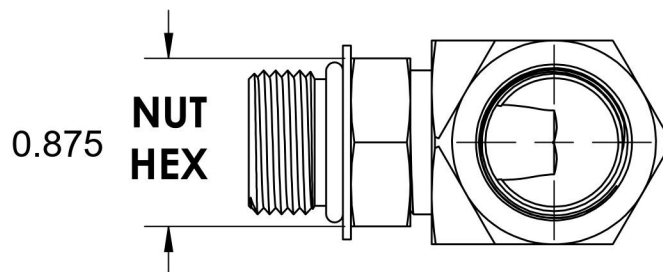


6815-08-08-NWO-FG

Steel, SAE J1926 Adjustable O-Ring Boss 90° Female Port Elbow, 3/4-16 Male Adjustable ORB x 3/4-16 Female ORB



6701 Cochran Road
Solon, Ohio 44139
Phone: (440) 248-1880
Toll Free: 1-888-331-1523

Temperature Rating

-40°F to 250°F

Material

C1045 Steel

Industry Standards

SAE J1926-1,-3, SAE J515
ASTM B633

Series

6815-NWO-FG

Pressure Rating

4000 psi

Finish

Trivalent Zinc

Series Description

SAE J1926 Adjustable O-Ring Boss
90° Female Port Elbow