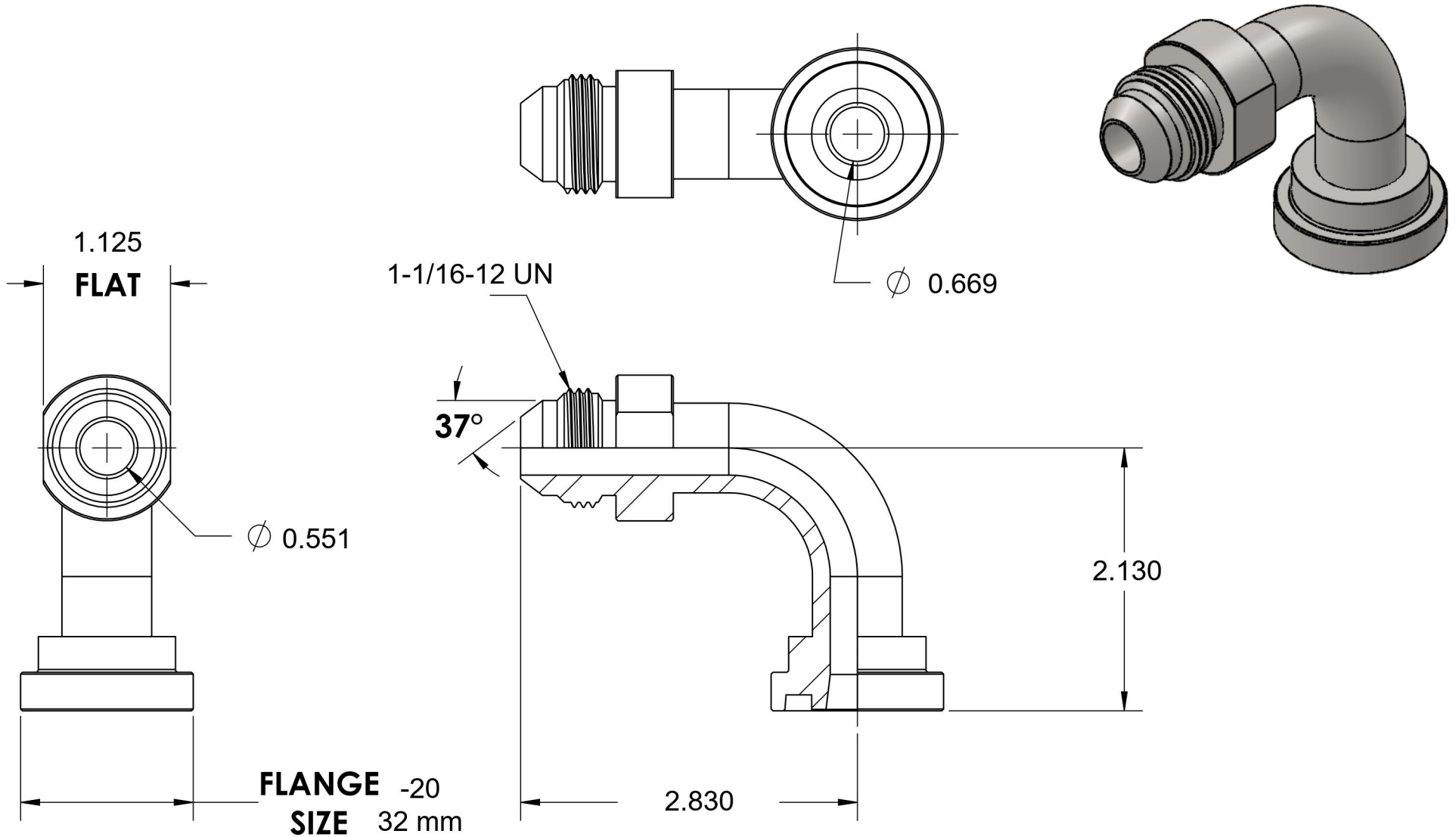


# 1704-12-20-SS

Stainless Steel, SAE J514 37° Flare 90° Code 61 Flange Swept Elbow, 3/4" Male JIC x 1-1/4" Split Flange Head



6701 Cochran Road  
Solon, Ohio 44139  
Phone: (440) 248-1880  
Toll Free: 1-888-331-1523

|                           |                          |                            |   |
|---------------------------|--------------------------|----------------------------|---|
| <b>Temperature Rating</b> | <b>Material</b>          | <b>Industry Standards</b>  | <b>Series</b>                                     |
| -425°F to 1200°F          | 316/316L Stainless Steel | SAE J518 Code 61, SAE J514 | 1704-SS   |
| <b>Pressure Rating</b>    | <b>Finish</b>            |                            | <b>Series Description</b>                         |
| 4000 psi                  | Passivation              |                            | SAE J514 37° Flare 90° Code 61 Flange Swept Elbow |