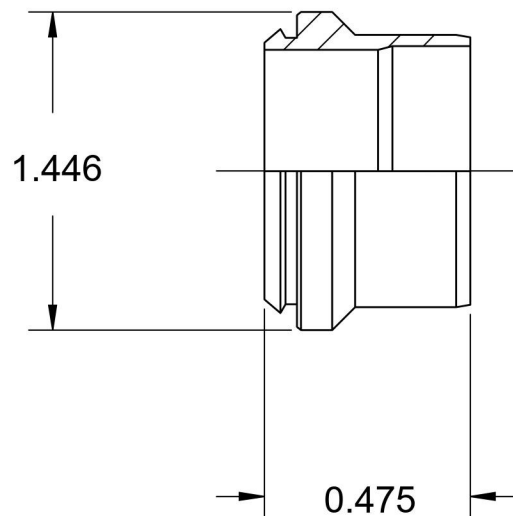
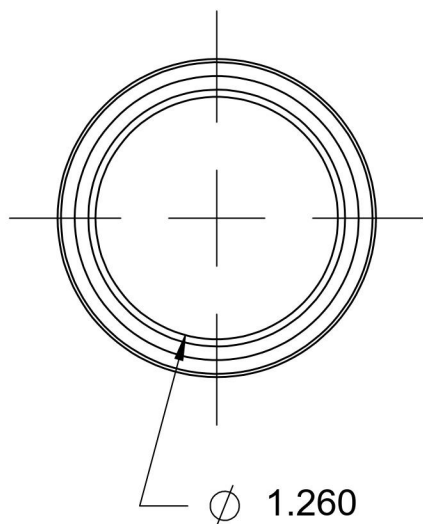


# C0319-20-SS

Stainless Steel, SAE J514 Flareless Tube Ferrule, 1-1/4" Flareless Bite Type Sleeve Type A



6701 Cochran Road  
Solon, Ohio 44139  
Phone: (440) 248-1880  
Toll Free: 1-888-331-1523

<b>Temperature Rating</b>	<b>Material</b>	<b>Industry Standards</b> SAE J514	<b>Series</b> C0319
-425°F to 1200°F	17-4 PH Stainless Steel		
<b>Pressure Rating</b>	<b>Finish</b>	<b>Series Description</b>	
Not Available	Passivation	SAE J514 Flareless Tube Ferrule	