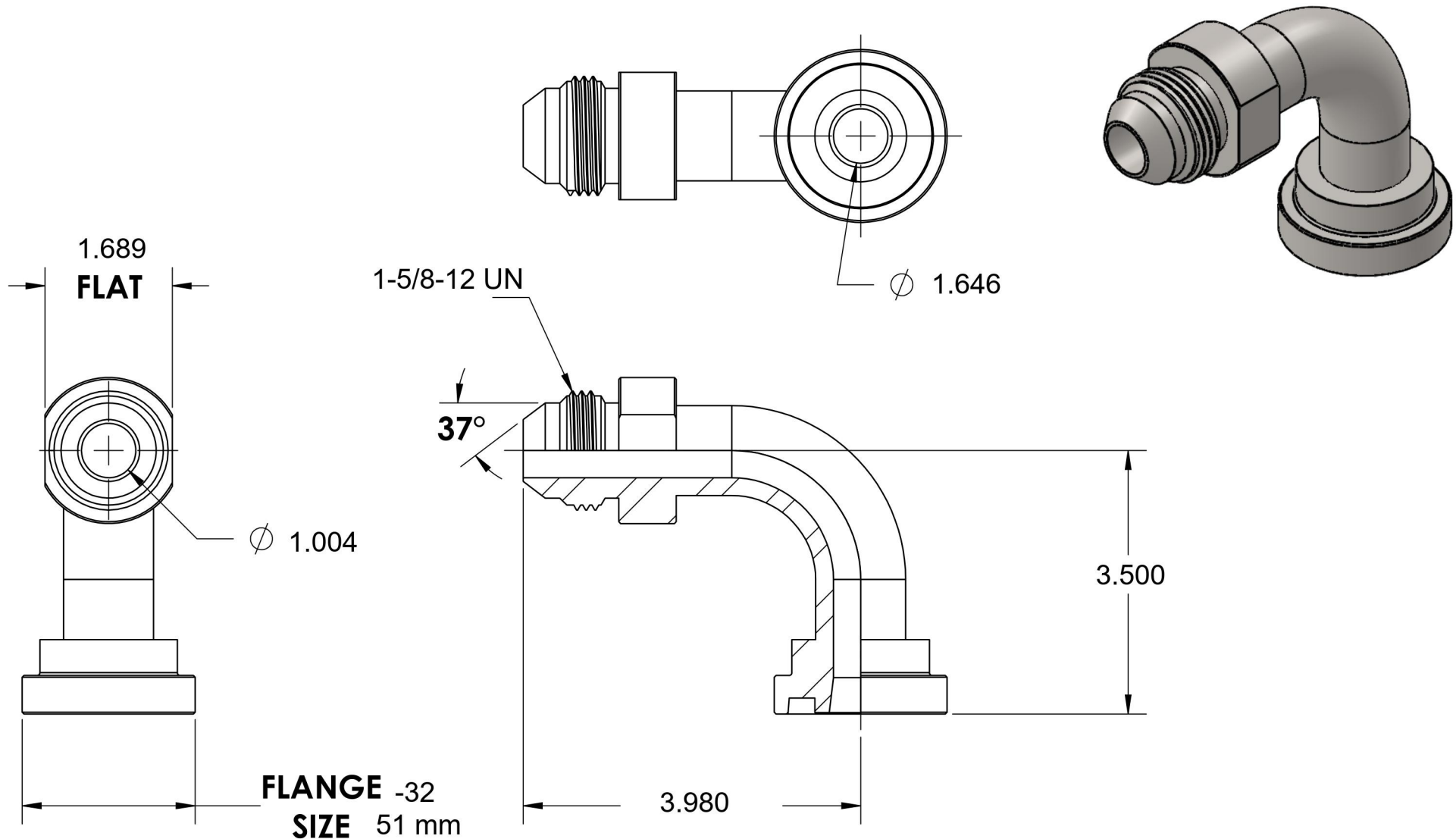


# 1704-20-32

Steel, SAE J514 37° Flare 90° Code 61 Flange Swept Elbow, 1-1/4" Male JIC x 2" Split Flange Head



6701 Cochran Road  
Solon, Ohio 44139  
Phone: (440) 248-1880  
Toll Free: 1-888-331-1523

Temperature Rating	Material	Industry Standards	Series
-65°F to 500°F	S20C Steel	SAE J518 Code 61, SAE J514 ASTM B633	1704
Pressure Rating	Finish	Series Description	
2000 psi	Trivalent Zinc	SAE J514 37° Flare 90° Code 61 Flange Swept Elbow	