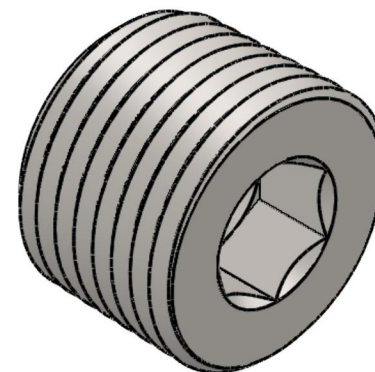
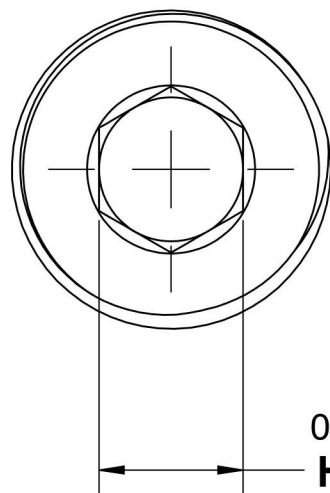
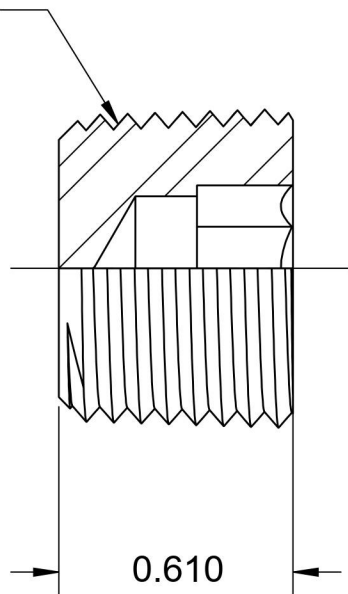


# 5406-HP-08

Steel, SAE J531 Pipe Hollow Hex Plug, 1/2" Male NPTF

1/2-14 NPTF



6701 Cochran Road  
Solon, Ohio 44139  
Phone: (440) 248-1880  
Toll Free: 1-888-331-1523

**Temperature Rating**

-65°F to 500°F

**Pressure Rating**

6000 psi

**Material**

C1045 / 12L14 Steel

**Finish**

Trivalent Zinc

**Industry Standards**

SAE J531, SAE J476  
ASTM B633

**Series**

**5406-HP**

**Series Description**

SAE J531 Pipe Hollow Hex Plug