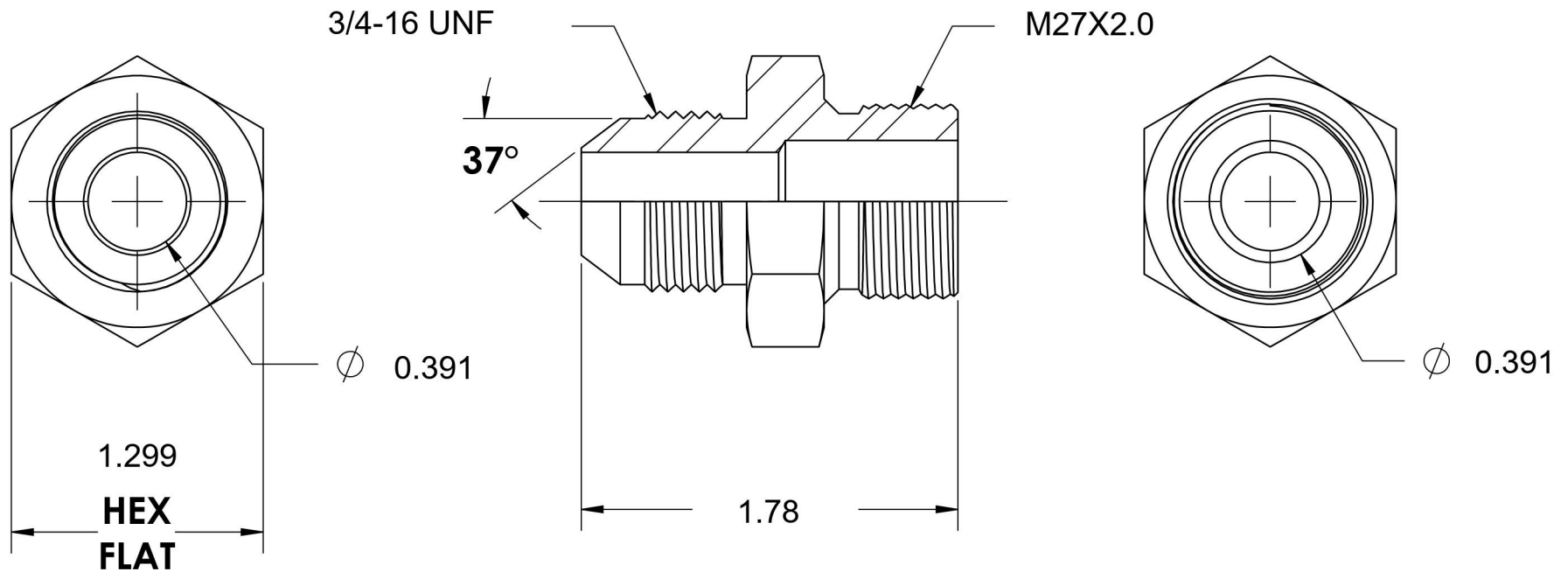
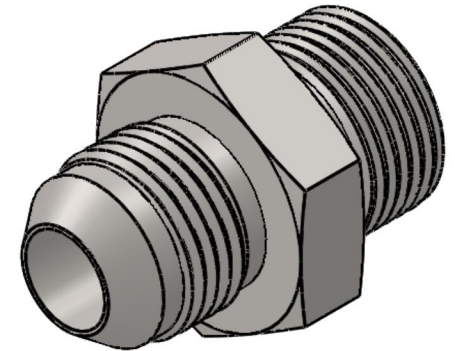


7005-08-27

Steel, SAE J514 37° Flare Male Metric Port/Line Connector, 1/2" Male JIC x M27X2.0 Male Metric 60° Line/Port



6701 Cochran Road
Solon, Ohio 44139
Phone: (440) 248-1880
Toll Free: 1-888-331-1523

| | | | |
|---|--------------------------------------|--|-----------------------|
| Temperature Rating -65°F to 500°F | Material C1045/12L14 Steel | Industry Standards SAE J514, ISO 9974 ASTM B633 | Series 7005 |
| Pressure Rating 5500 psi | Finish Trivalent Zinc | Series Description SAE J514 37° Flare Male Metric Port/Line Connector | |