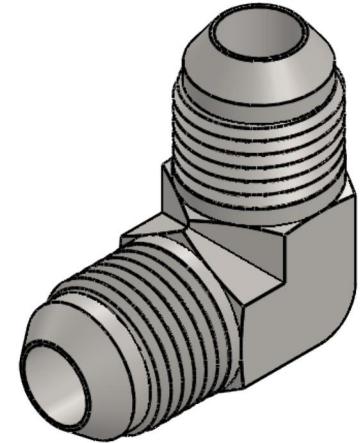
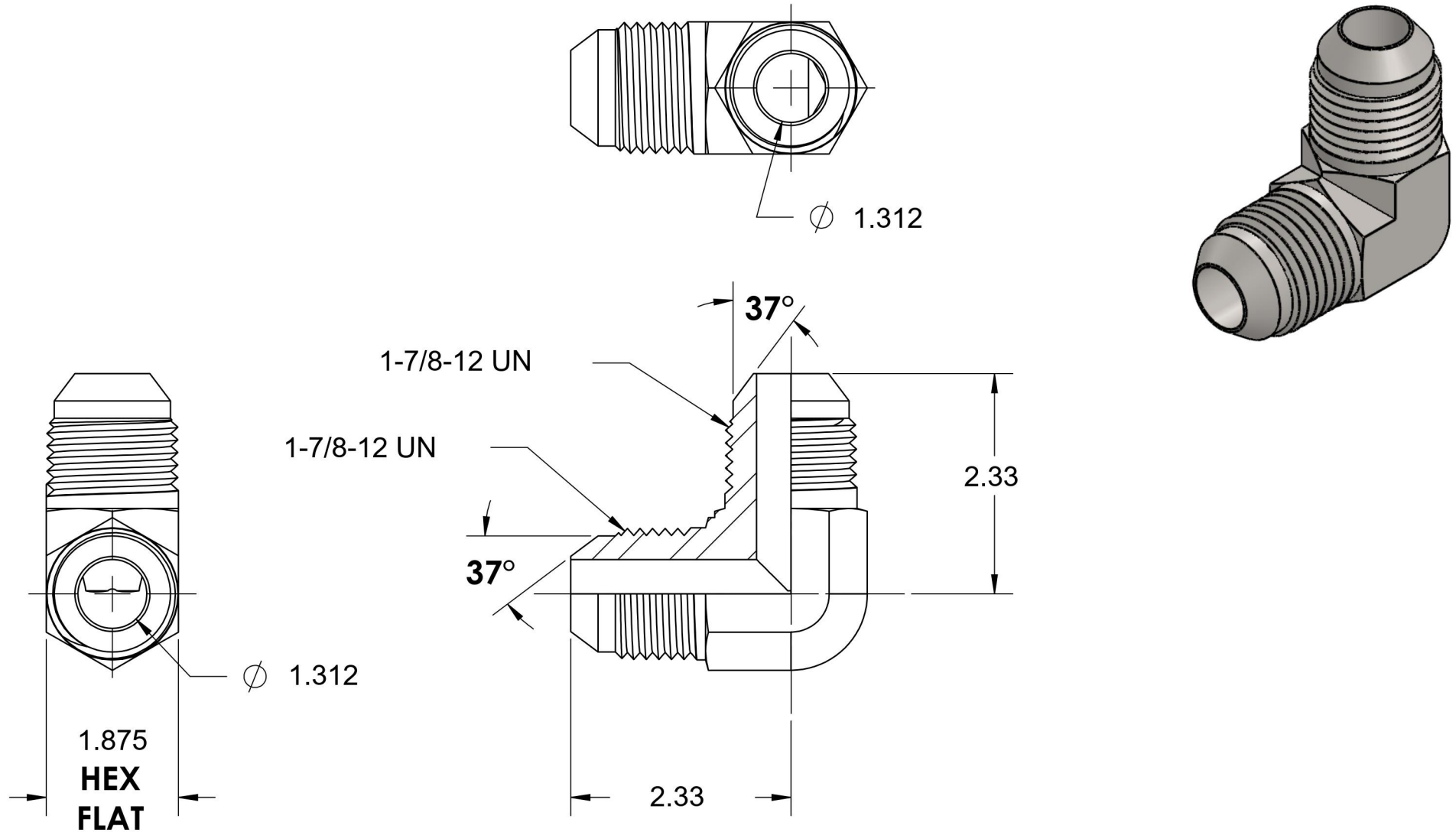


# 2500-24-24-FG

Steel, SAE J514 37° Flare 90° Union Elbow, 1-1/2" Male JIC x 1-1/2" Male JIC



6701 Cochran Road  
Solon, Ohio 44139  
Phone: (440) 248-1880  
Toll Free: 1-888-331-1523

|                           |                 |                           |                                       |
|---------------------------|-----------------|---------------------------|---------------------------------------|
| <b>Temperature Rating</b> | <b>Material</b> | <b>Industry Standards</b> | <b>Series</b>                         |
| -65°F to 500°F            | C1045 Steel     | SAE J514, ASTM B633       | 2500-FG                               |
| <b>Pressure Rating</b>    | <b>Finish</b>   |                           | <b>Series Description</b>             |
| 3000 psi                  | Trivalent Zinc  |                           | SAE J514 37° Flare<br>90° Union Elbow |