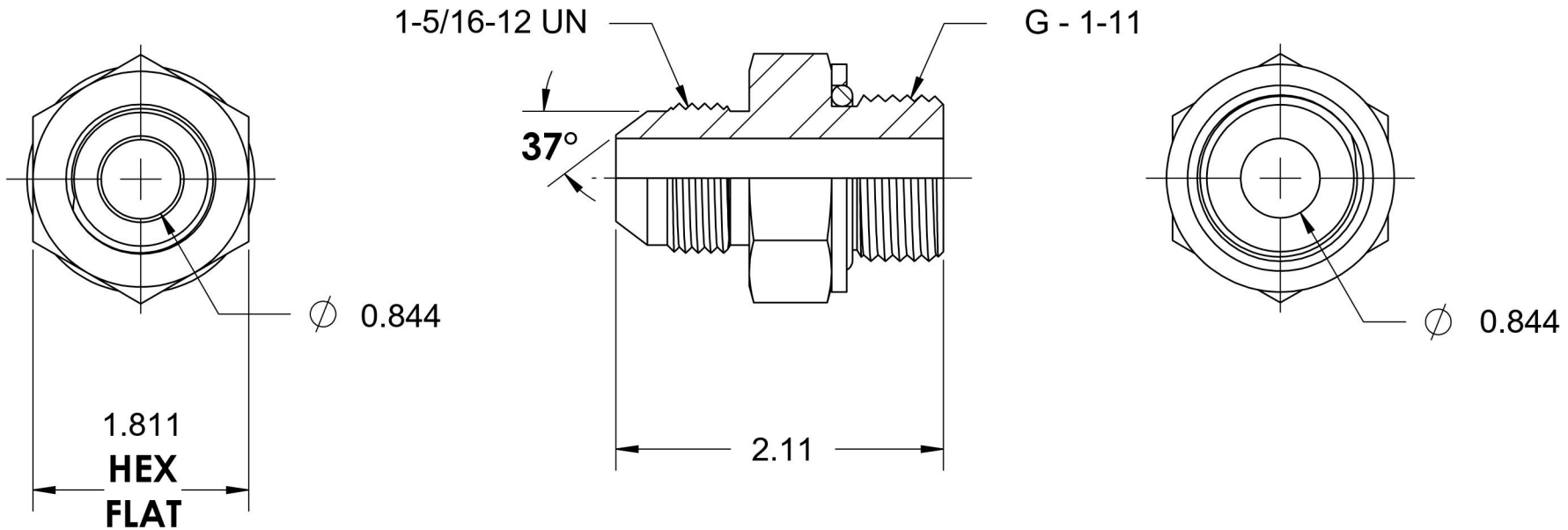
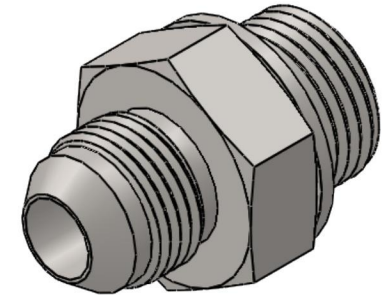


7012-16-16-VITON

Steel, SAE J514 37° Flare Male BSPP Type (G) Port Connector, 1" Male JIC x 1-11 Male BSPP ORR, FKM Seal



6701 Cochran Road
Solon, Ohio 44139
Phone: (440) 248-1880
Toll Free: 1-888-331-1523

Temperature Rating	Material	Industry Standards	Series
-15°F to 400°F	C1045 / 12L14 Steel	SAE J514, ISO 1179	7012-ORR
Pressure Rating	Finish	ASTM B633	
4000 psi	Trivalent Zinc	Series Description SAE J514 37° Flare Male BSPP Type (G) Port Connector	