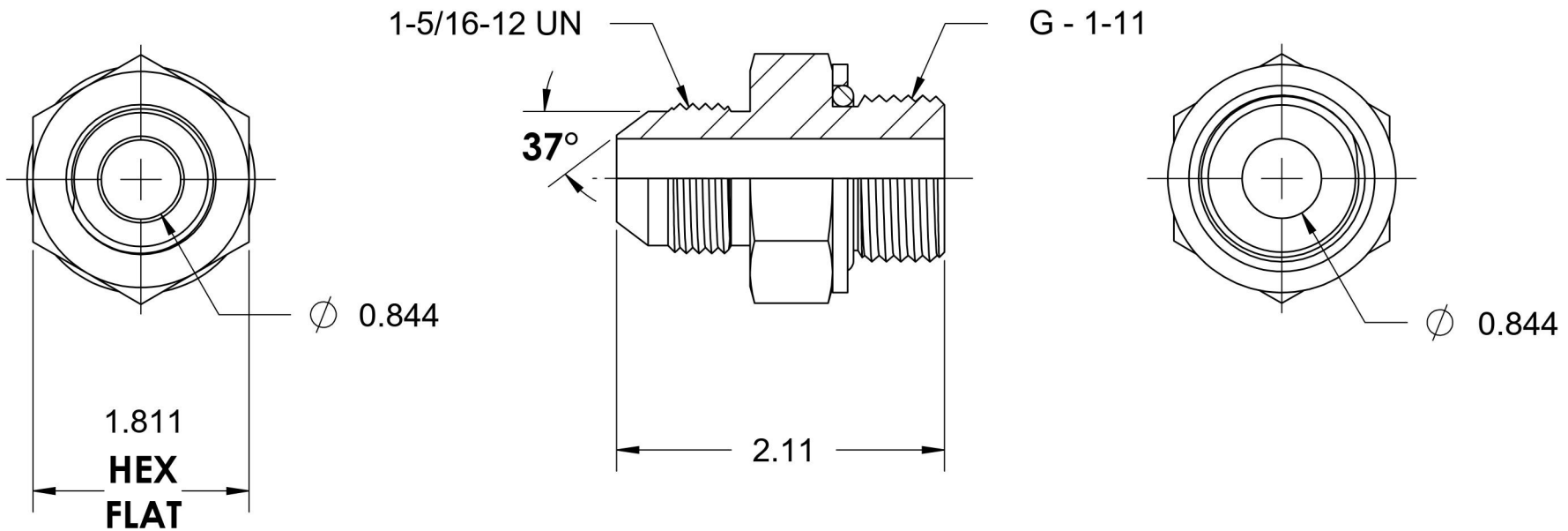
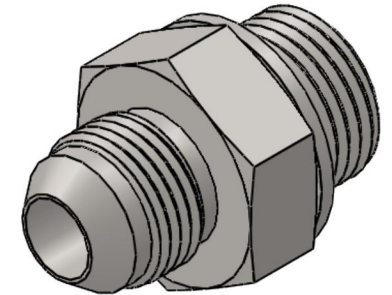


# 7012-16-16-SS-VITON

Stainless Steel, SAE J514 37° Flare Male BSPP Type (G) Port Connector, 1" Male JIC x 1-11 Male BSPP ORR, FKM Seal



6701 Cochran Road  
Solon, Ohio 44139  
Phone: (440) 248-1880  
Toll Free: 1-888-331-1523

<b>Temperature Rating</b>	<b>Material</b>	<b>Industry Standards</b>	<b>Series</b>
-15°F to 400°F	316/316L Stainless Steel	SAE J514, ISO 1179	7012-ORR-SS
<b>Pressure Rating</b>	<b>Finish</b>		<b>Series Description</b>
3600 psi	Passivated		SAE J514 37° Flare Male BSPP Type (G) Port Connector