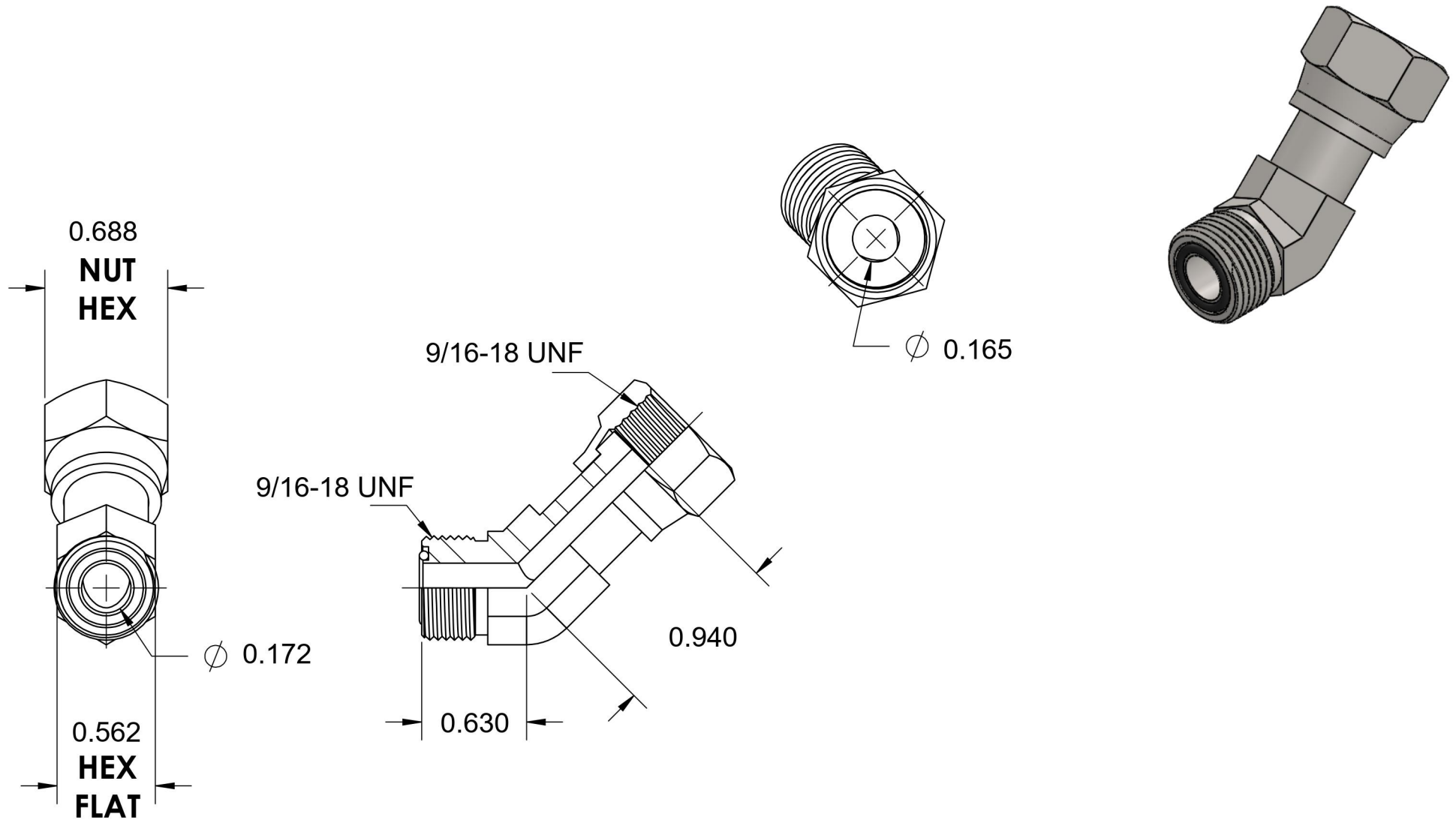


FS6502-04-04-SS

Stainless Steel, SAE J1453 O-Ring Face Seal 45° Swivel Elbow, 1/4" Male ORFS x 1/4" Female ORFS Swivel



6701 Cochran Road
Solon, Ohio 44139
Phone: (440) 248-1880
Toll Free: 1-888-331-1523

Temperature Rating	Material	Industry Standards	Series
-40°F to 250°F	316/316L Stainless Steel	SAE J1453, SAE J515	FS6502-SS
Pressure Rating	Finish		Series Description
9200 psi	Passivated		SAE J1453 O-Ring Face Seal 45° Swivel Elbow