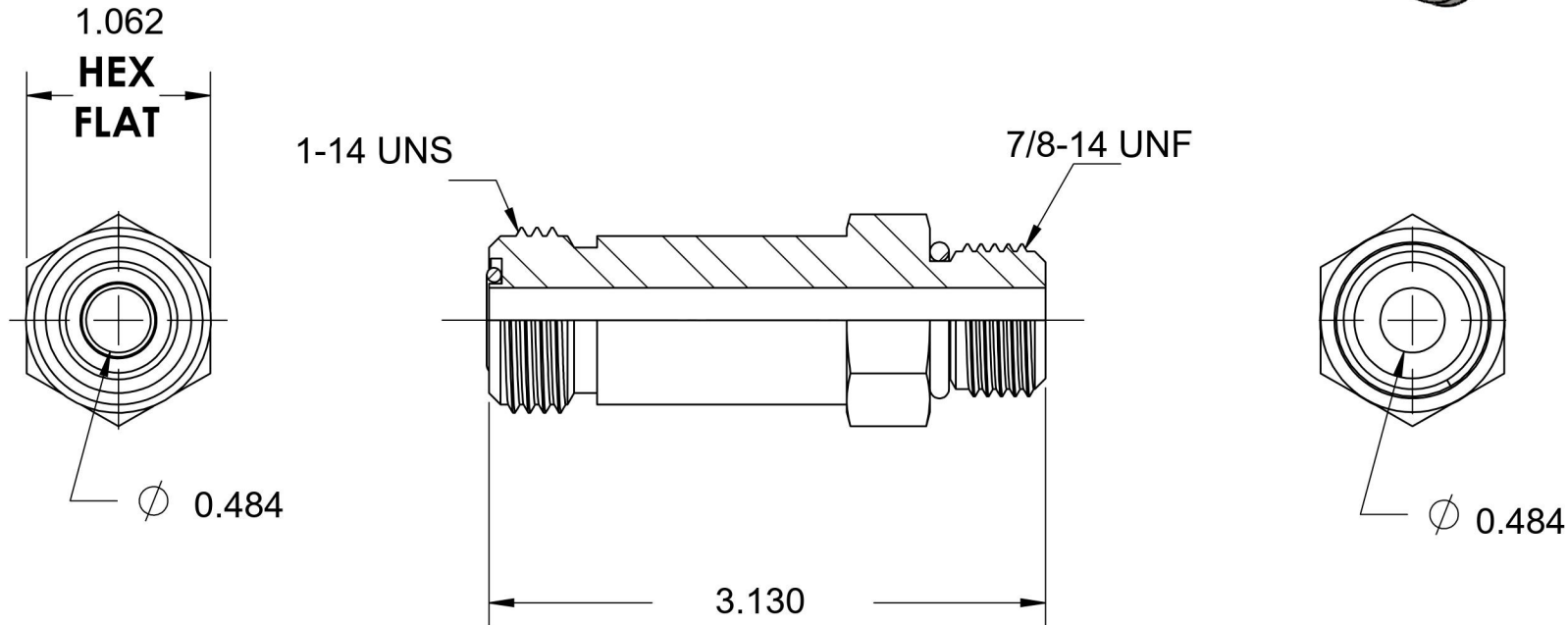
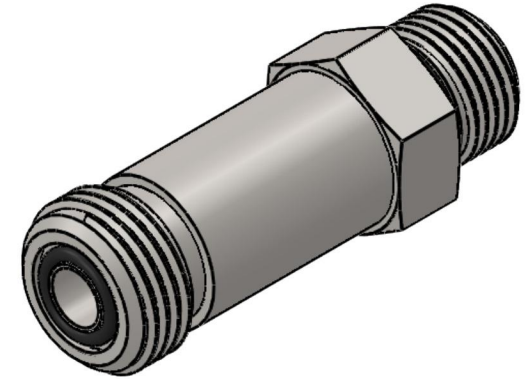


FS6400-L-10-10-O

Steel, SAE J1453 O-Ring Face Seal Long Port Connector, 5/8" Male ORFS x 7/8-14 Male ORB



6701 Cochran Road
Solon, Ohio 44139
Phone: (440) 248-1880
Toll Free: 1-888-331-1523

Temperature Rating -40°F to 250°F	Material C1045/12L14 Steel	Industry Standards SAE J1453, SAE J1926-2 SAE J515, ASTM B633	Series FS6400-L-O
Pressure Rating 6000 psi	Finish Trivalent Zinc		Series Description SAE J1453 O-Ring Face Seal Long Port Connector