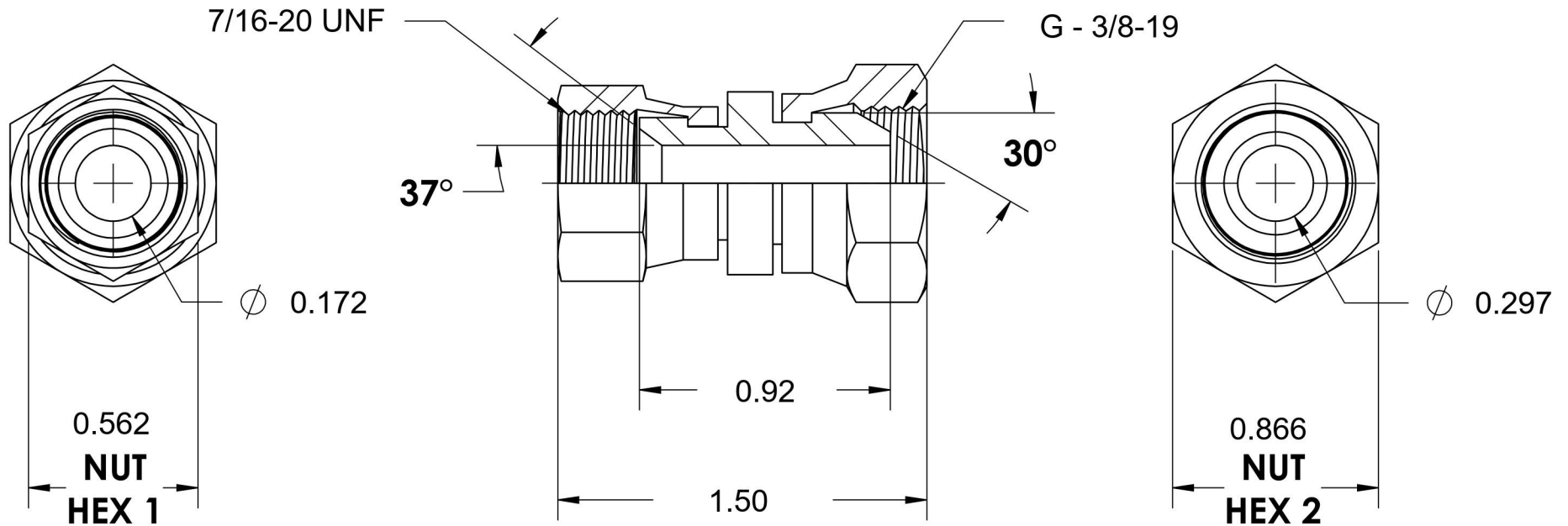
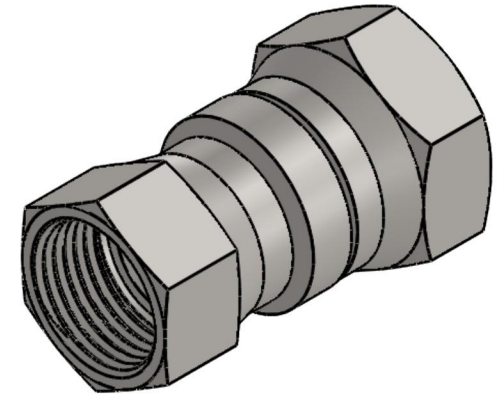


7023-04-06

Steel, SAE J514 37° Flare Swivel BSPP Connector, 1/4" Female JIC Swivel x 3/8-19 Female BSPP Swivel



6701 Cochran Road
Solon, Ohio 44139
Phone: (440) 248-1880
Toll Free: 1-888-331-1523

Temperature Rating	Material	Industry Standards	Series
-65°F to 500°F	C1045 / 12L14 Steel	SAE J514, ISO 8434-6	7023
Pressure Rating	Finish	ASTM B633	Series Description
5100 psi	Trivalent Zinc		SAE J514 37° Flare Swivel BSPP Connector