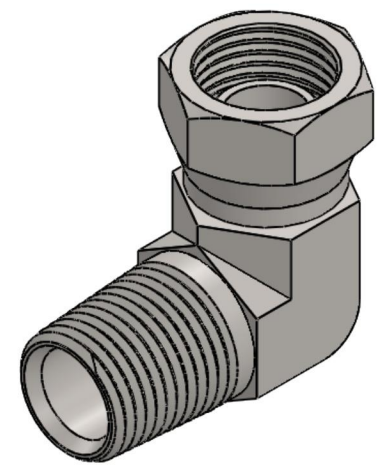
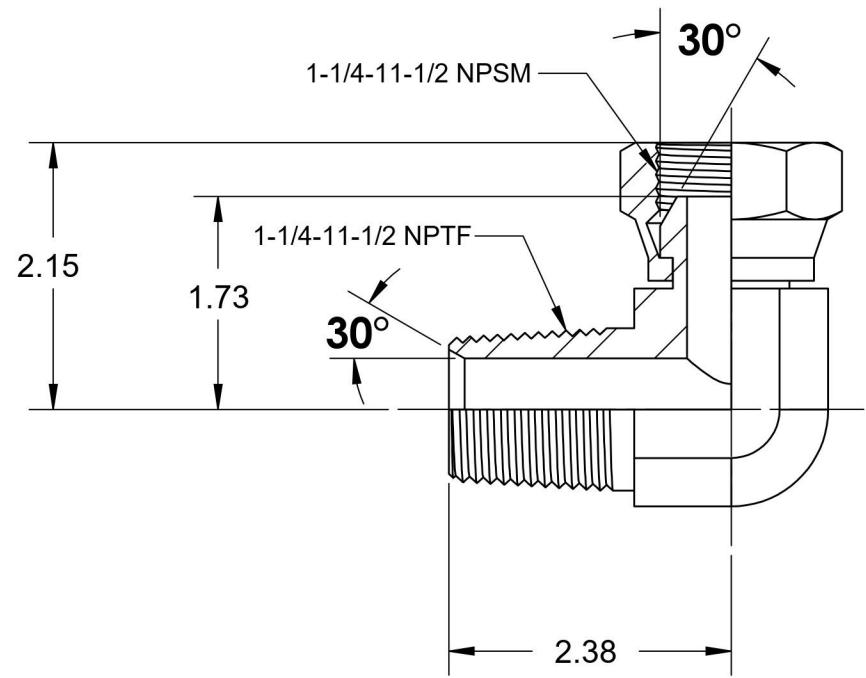
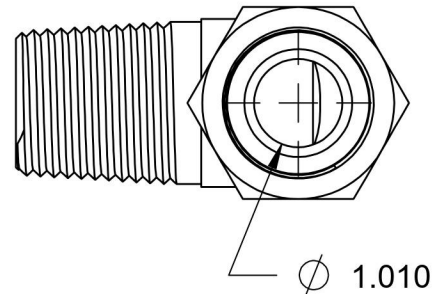
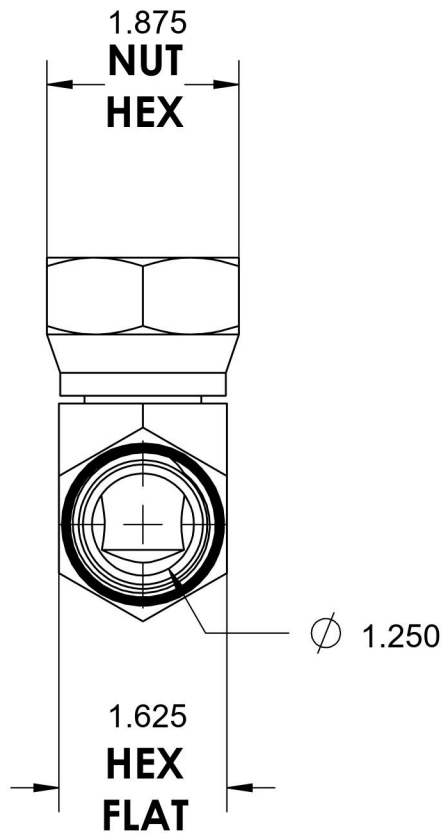


# 1501-20-20-SS

Stainless Steel, SAE J514 NPSM Swivel 90° Male Elbow, 1-1/4" Male NPTF 30° x 1-1/4" Female NPSM Swivel



6701 Cochran Road  
Solon, Ohio 44139  
Phone: (440) 248-1880  
Toll Free: 1-888-331-1523

|                    |                  |          |                          |                    |                    |                    |  |
|--------------------|------------------|----------|--------------------------|--------------------|--------------------|--------------------|--|
| Temperature Rating | -425°F to 1200°F | Material | 316/316L Stainless Steel | Industry Standards | SAE J514, SAE J476 | Series             | 1501-SS                                |
| Pressure Rating    | 2000 psi         | Finish   | Passivated               |                    |                    | Series Description | SAE J514 NPSM Swivel<br>90° Male Elbow |