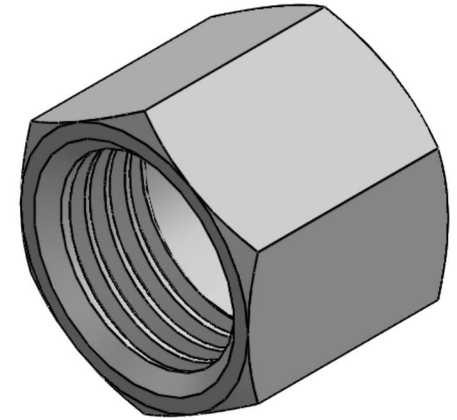
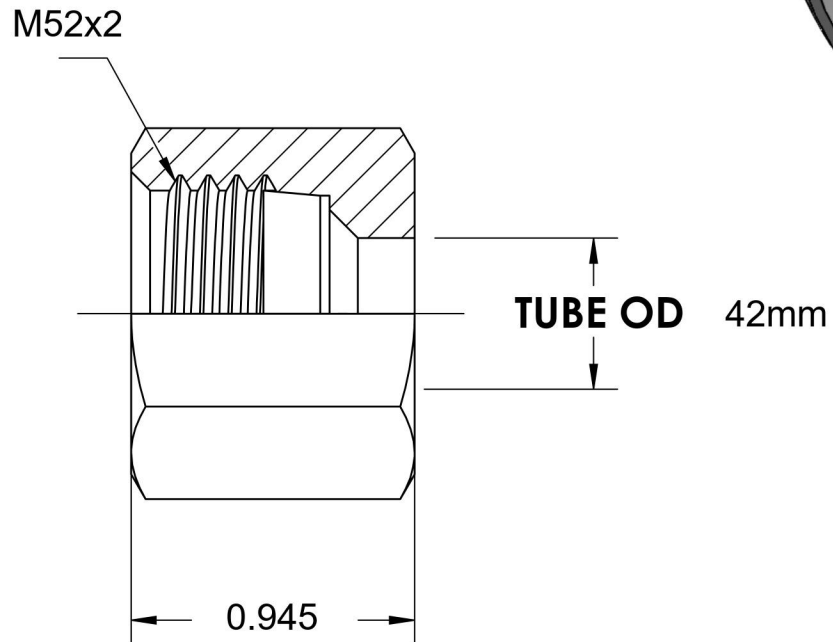
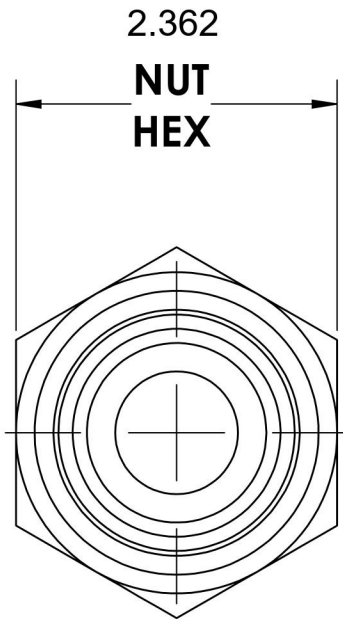


D0318-L42-SS

Stainless Steel, DIN 2353 Tube Nut, Light 42mm Tube OD



6701 Cochran Road
Solon, Ohio 44139
Phone: (440) 248-1880
Toll Free: 1-888-331-1523

Temperature Rating -425°F to 1200°F	Material 316Ti Stainless	Industry Standards DIN 2353, ISO 8434-1	Series D0318
Pressure Rating 3626psi	Finish Passivation		Series Description DIN 2353 Flareless Tube Nut