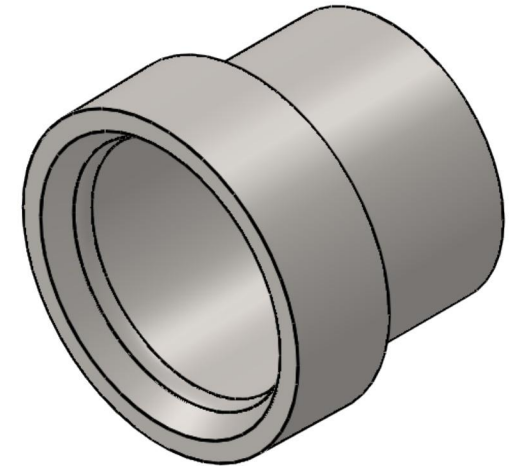
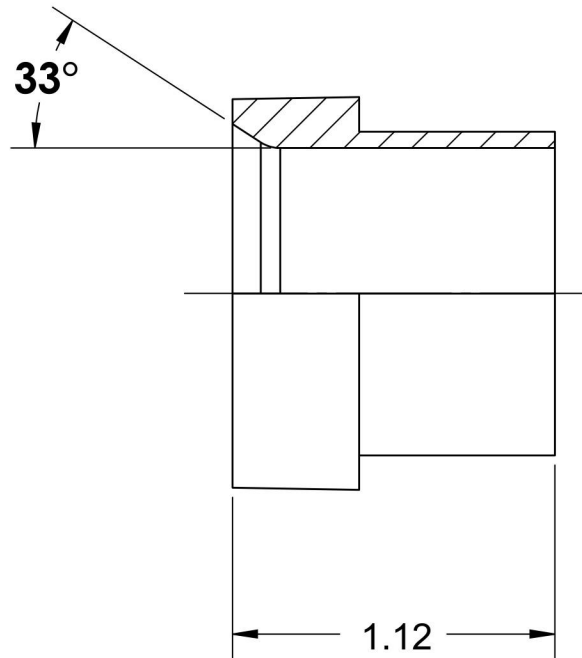
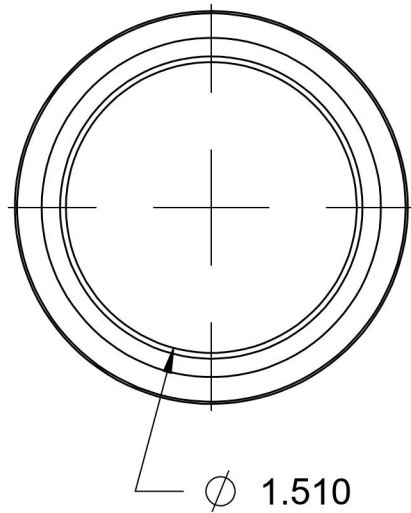


# 0319-24-SS

Stainless Steel, SAE J514 37° Flare Tube Sleeve, 1-1/2" JIC Tube Sleeve



6701 Cochran Road  
Solon, Ohio 44139  
Phone: (440) 248-1880  
Toll Free: 1-888-331-1523

|   |   |                                       |   |
|---|---|---------------------------------------|---|
| <b>Temperature Rating</b><br>-425°F to 1200°F | <b>Material</b><br>316/316L Stainless Steel | <b>Industry Standards</b><br>SAE J514 | <b>Series</b><br>0319-SS                                    |
| <b>Pressure Rating</b><br>Not Applicable      | <b>Finish</b><br>Passivated                 |                                       | <b>Series Description</b><br>SAE J514 37° Flare Tube Sleeve |